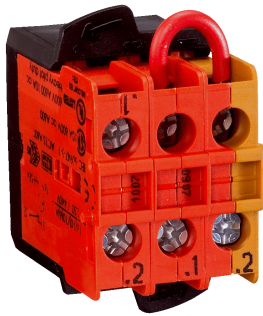


# ES21-CG2001

ES21

SAFETY COMMAND DEVICES

**SICK**  
Sensor Intelligence.



## Ordering information

Type	Part no.
ES21-CG2001	6036140

Product consists of UL certified components (ES21-XC030, ES21-CS0001, ES21-CS1000). See UL certificate number: E198242

Other models and accessories → [www.sick.com/ES21](http://www.sick.com/ES21)



## Detailed technical data

### Features

<b>Number of positive action N/C contacts</b>	2
<b>Number of N/O contacts</b>	0
<b>Contact module for panel mount version</b>	✓

### Safety-related parameters

<b>B<sub>10d</sub> parameter</b>	250.000 switching cycles
----------------------------------	--------------------------

### Functions

<b>Safe series connection</b>	None, only individual wiring (with diagnostics)
-------------------------------	---

### Interfaces

<b>Connection type</b>	
Conductor cross section	≤ 2.5 mm <sup>2</sup>
Contact	Screw connection

### Electrical data

#### Operating data

<b>Protection class</b>	II (EN 50178)
<b>Switching principle</b>	Slow action switching element
<b>Number of positive action N/C contacts</b>	2
<b>Number of N/O contacts</b>	0
<b>Usage category</b>	AC-15/DC-13 (EN 60947-5-1)
<b>Rated operating current (voltage)</b>	3 A (250 V AC) 2 A (24 V DC)
<b>Rated insulation voltage U<sub>i</sub></b>	600 V
<b>Switching voltage</b>	≥ 5 V DC
<b>Switching current</b>	≥ 1 mA

<sup>1)</sup> At rated load.

<b>Electrical life</b>	1 x 10 <sup>6</sup> switching cycles <sup>1)</sup>
------------------------	--

<sup>1)</sup> At rated load.

#### Mechanical data

<b>Weight</b>	70 g
<b>Mounting version</b>	Panel mount version
<b>Mechanical life</b>	1 x 10 <sup>6</sup> switching cycles

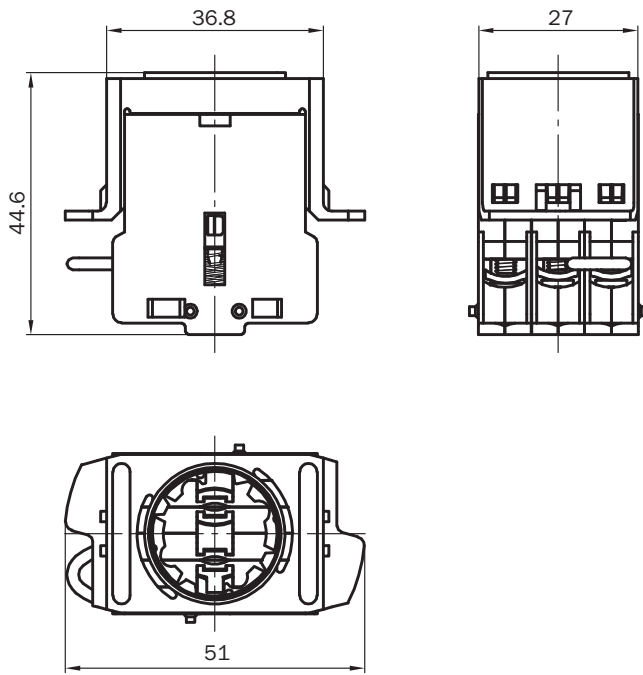
#### Ambient data

<b>Ambient operating temperature</b>	-30 °C ... +85 °C
<b>Storage temperature</b>	-50 °C ... +85 °C

#### Classifications

<b>eCl@ss 5.0</b>	27371228
<b>eCl@ss 5.1.4</b>	27371228
<b>eCl@ss 6.0</b>	27371244
<b>eCl@ss 6.2</b>	27371244
<b>eCl@ss 7.0</b>	27371244
<b>eCl@ss 8.0</b>	27371244
<b>eCl@ss 8.1</b>	27371244
<b>eCl@ss 9.0</b>	27371244
<b>eCl@ss 10.0</b>	27371291
<b>eCl@ss 11.0</b>	27371291
<b>eCl@ss 12.0</b>	27371291
<b>ETIM 5.0</b>	EC002034
<b>ETIM 6.0</b>	EC002034
<b>ETIM 7.0</b>	EC002034
<b>ETIM 8.0</b>	EC002034
<b>UNSPSC 16.0901</b>	39121545

Dimensional drawing (Dimensions in mm (inch))



## SICK AT A GLANCE

SICK is one of the leading manufacturers of intelligent sensors and sensor solutions for industrial applications. A unique range of products and services creates the perfect basis for controlling processes securely and efficiently, protecting individuals from accidents and preventing damage to the environment.

We have extensive experience in a wide range of industries and understand their processes and requirements. With intelligent sensors, we can deliver exactly what our customers need. In application centers in Europe, Asia and North America, system solutions are tested and optimized in accordance with customer specifications. All this makes us a reliable supplier and development partner.

Comprehensive services complete our offering: SICK LifeTime Services provide support throughout the machine life cycle and ensure safety and productivity.

For us, that is “Sensor Intelligence.”

## WORLDWIDE PRESENCE:

Contacts and other locations –[www.sick.com](http://www.sick.com)