

LL3-TR01

LL3

FIBER-OPTIC SENSORS AND FIBERS

SICK
Sensor Intelligence.



Ordering information

Type	Part no.
LL3-TR01	5308052

Other models and accessories → www.sick.com/LL3

Detailed technical data

Features

Device type	Fibers
Detection principle	Through-beam system
For fiber-optic sensor	GLL170(T), WLL180T, WLL24 Ex
Fiber length	2 m
Fiber material	Polymethylmethacrylat (PMMA)
Jacket material	Polyethylen (PE)
Fiber head material	Copper-zinc alloy (CuZn)
Outer diameter, fiber-optic cable connection	2.2 mm
Fiber-optic cable cuttable	✓ ¹⁾
Thread size	M4
Fiber-optic head design	Threaded sleeve
Fiber arrangement	Multi-fiber – fiber bundle
Core structure	16 x Ø 0,265 mm Multi-fiber – fiber bundle
Bend radius, fibre-optic cable	4 mm
Angle of dispersion < 60°	No
Compatibility with infrared light (1,450 nm)	No
Ambient operating temperature	-40 °C ... +70 °C
Application	High flexible (static), Robotics (dynamic flexible)
Diameter/thread size from 2 mm taper	≥ 2.6 mm
Length of taper	≥ 3 mm
Highly flexible/elastic fibers (bend radius 1–4 mm)	Yes
Adapter end sleeves required	No
Angle of dispersion	60°
Integrated lens	No
Minimal object diameter	0.3 mm ²⁾
Special features	Flexible fiber-optic cable, standard, large sensing range
Included with delivery	Mounting, 4 x M3 hexagon nut, 4 x washer, FC fiber cutter (5304141)
Compatibility tip adapters	Yes

¹⁾ FC fiber optic cable cutter included in delivery.

²⁾ Minimum detectable object was determined at optimum measuring distance and optimum setting.

Classifications

ECI@ss 5.0	27270905
ECI@ss 5.1.4	27270905
ECI@ss 6.0	27270905
ECI@ss 6.2	27270905
ECI@ss 7.0	27270905
ECI@ss 8.0	27270905
ECI@ss 8.1	27270905
ECI@ss 9.0	27270905
ETIM 5.0	EC002651
ETIM 6.0	EC002651
UNSPSC 16.0901	39121528

Sensing ranges with WLL180T

Operating mode 16 µs	200 mm
Operating mode 70 µs	600 mm
Operating mode 250 µs	1,000 mm
Operating mode 2 ms	2,400 mm
Operating mode 8 ms	4,000 mm

Sensing ranges with GLL170

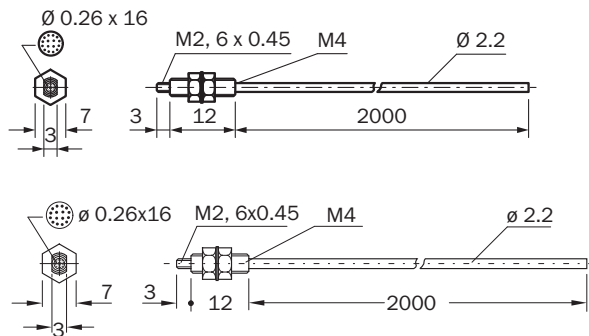
Operating mode 250 µs	470 mm
------------------------------	--------

Sensing ranges with GLL170T

Operating mode 50 µs	380 mm
Operating mode 250 µs	680 mm

Dimensional drawing (Dimensions in mm (inch))

LL3-TR01



SICK AT A GLANCE

SICK is one of the leading manufacturers of intelligent sensors and sensor solutions for industrial applications. A unique range of products and services creates the perfect basis for controlling processes securely and efficiently, protecting individuals from accidents and preventing damage to the environment.

We have extensive experience in a wide range of industries and understand their processes and requirements. With intelligent sensors, we can deliver exactly what our customers need. In application centers in Europe, Asia and North America, system solutions are tested and optimized in accordance with customer specifications. All this makes us a reliable supplier and development partner.

Comprehensive services complete our offering: SICK LifeTime Services provide support throughout the machine life cycle and ensure safety and productivity.

For us, that is “Sensor Intelligence.”

WORLDWIDE PRESENCE:

Contacts and other locations –www.sick.com