



## Connection cable

**SICK**  
Sensor Intelligence.



## Ordering information

Type	Part no.
Connection cable	2094427

Other models and accessories → [www.sick.com/](http://www.sick.com/)

## Detailed technical data

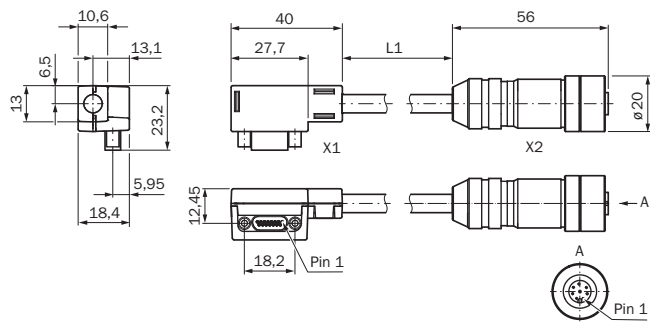
### Technical specifications

<b>Accessory group</b>	Plug connectors and cables
<b>Accessory family</b>	Connection cables
<b>Connection type head A</b>	Male connector, Micro D-Sub, 15-pin, angled
<b>Connection type head B</b>	Female connector, M12, 8-pin, straight, A-coded
<b>Cable</b>	5 m
<b>Shielding</b>	Shielded
<b>Reference voltage</b>	300 V AC
<b>Description</b>	For connecting the Motion Control Module FX3-MOC with one HTL, TTL, or sin/cos encoder (e.g., DFS60S Pro)

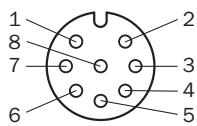
### Classifications

<b>eCl@ss 5.0</b>	19030312
<b>eCl@ss 5.1.4</b>	19030312
<b>eCl@ss 6.0</b>	27060304
<b>eCl@ss 6.2</b>	27060304
<b>eCl@ss 7.0</b>	27060304
<b>eCl@ss 8.0</b>	27060304
<b>eCl@ss 8.1</b>	27060304
<b>eCl@ss 9.0</b>	27060304
<b>eCl@ss 10.0</b>	27060304
<b>eCl@ss 11.0</b>	27060304
<b>eCl@ss 12.0</b>	27060304
<b>ETIM 5.0</b>	EC000830
<b>ETIM 6.0</b>	EC000830
<b>ETIM 7.0</b>	EC003249
<b>ETIM 8.0</b>	EC003249
<b>UNSPSC 16.0901</b>	26121604

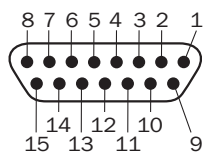
Dimensional drawing (Dimensions in mm (inch))



PIN assignment



Female connector M12, 8-pin, A-coded						Male connector, Micro D-Sub, 15-pin	
Encoder	Sin/cos encoder		A/B incremental encoder			FX3-MOC	
Pin	Sin/Cos	HIPERFACE®	2 output pairs (HTL 24 V, HTL 12 V, TTL)	2 outputs (HTL 24 V, HTL 12 V, TTL)	2 output pairs (RS-422)	Pin	Designation
1	Cos-	Cos_Ref	A-	GND	A-	9	ENC1_A-
2	Cos+	Cos	A+	A	A+	1	ENC1_A+
3	Sin-	Sin_Ref	B-	GND	-	10	ENC1_B-
4	Sin+	Sin	B+	B	-	2	ENC1_B+
5	-	-	-	-	B+	3	ENC1_C+
6	-	-	-	-	B-	11	ENC1_C-
7	GND supply voltage					12	ENC_OV
8	24 V supply voltage					4	ENC1_24V



Female connector M12, 8-pin, A-coded						Male connector, Micro D-Sub, 15-pin	
Encoder	Sin/cos encoder		A/B incremental encoder			FX3-MOC	
Pin	Sin/Cos	HIPERFACE®	2 output pairs (HTL 24 V, HTL 12 V, TTL)	2 outputs (HTL 24 V, HTL 12 V, TTL)	2 output pairs (RS-422)	Pin	Designation
1	Cos-	Cos_Ref	A-	GND	A-	9	ENC1_A-
2	Cos+	Cos	A+	A	A+	1	ENC1_A+
3	Sin-	Sin_Ref	B-	GND	-	10	ENC1_B-
4	Sin+	Sin	B+	B	-	2	ENC1_B+

# Connection cable

Female connector M12, 8-pin, A-coded						Male connector, Micro D-Sub, 15-pin	
5	-	-	-	-	B+	3	ENC1_C+
6	-	-	-	-	B-	11	ENC1_C-
7	GND supply voltage					12	ENC_0V
8	24 V supply voltage					4	ENC1_24V

## SICK AT A GLANCE

SICK is one of the leading manufacturers of intelligent sensors and sensor solutions for industrial applications. A unique range of products and services creates the perfect basis for controlling processes securely and efficiently, protecting individuals from accidents and preventing damage to the environment.

We have extensive experience in a wide range of industries and understand their processes and requirements. With intelligent sensors, we can deliver exactly what our customers need. In application centers in Europe, Asia and North America, system solutions are tested and optimized in accordance with customer specifications. All this makes us a reliable supplier and development partner.

Comprehensive services complete our offering: SICK LifeTime Services provide support throughout the machine life cycle and ensure safety and productivity.

For us, that is “Sensor Intelligence.”

## WORLDWIDE PRESENCE:

Contacts and other locations –[www.sick.com](http://www.sick.com)