



## Connection module

**SICK**  
Sensor Intelligence.



## Ordering information

Type	Part no.
Connection module	2079824

Other models and accessories → [www.sick.com/](http://www.sick.com/)



## Detailed technical data

### Technical specifications

<b>Accessory family</b>	Connection modules
<b>Connection type head A</b>	Round connector (stainless steel), M12
<b>Connection type head B</b>	Round connector (stainless steel), M12
<b>Connection type head C</b>	Round connector (stainless steel), M12
<b>Connection type</b>	Cable gland
<b>Conductor cross-section</b>	5 x 0,5 mm <sup>2</sup> + 2 x 12 x 0,14 mm <sup>2</sup>
<b>Housing material</b>	Aluminum
<b>Ambient operating temperature</b>	-40 °C ... +60 °C
<b>Enclosure rating</b>	IP67
<b>Weight</b>	0.68 kg
<b>Dimensions (W x H x L)</b>	88 mm x 34 mm x 173 mm
<b>Description</b>	Connection box with tamper contact for power, I/O, and RS-232/RS-422 data (not Ethernet), with three pre-wired M12 cables, 12-pin

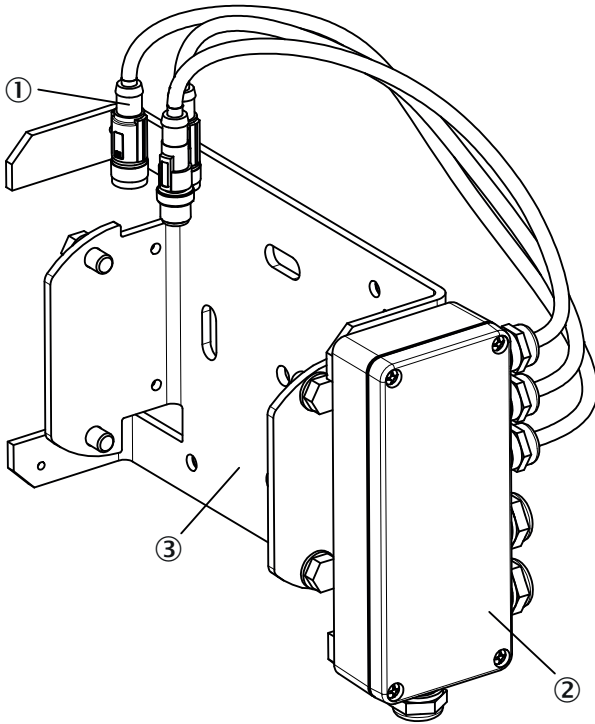
### Classifications

<b>ECl@ss 5.0</b>	27242602
<b>ECl@ss 5.1.4</b>	27242602
<b>ECl@ss 6.0</b>	27242602
<b>ECl@ss 6.2</b>	27242602
<b>ECl@ss 7.0</b>	27242602
<b>ECl@ss 8.0</b>	27242602
<b>ECl@ss 8.1</b>	27242602
<b>ECl@ss 9.0</b>	27242602
<b>ECl@ss 10.0</b>	27242602
<b>ECl@ss 11.0</b>	27242602
<b>ECl@ss 12.0</b>	27242602
<b>ETIM 5.0</b>	EC001597
<b>ETIM 6.0</b>	EC001597
<b>ETIM 7.0</b>	EC001597
<b>ETIM 8.0</b>	EC001597

UNSPSC 16.0901

32151705

## Dimensional drawing (Dimensions in mm (inch))



- ① Figure shows connection box with standard housing, connector form deviates slightly from part number 2095789
- ② Connection box 2063034 or 2095789
- ③ Adapter plate 2059271

## PIN assignment

Pin definition LMS531 PRO	01	AD/A (IN 1)
	02	WT (IN 2)
	03	Disq. A
	04	Disq. B
	05	D/N (IN 3)
	06	Teach (IN 4)
	07	GND IN
	08	Alarm A
	09	Alarm B
	10	Tamper A
	11	Tamper B
	12	Error A
	13	Error B
	14	Sab A
	15	Sab B
	16	24 V SYS
	17	GND SYS
	18	24 V HEAT
	19	GND HEAT
	20	Alarm R A
	21	Alarm R B
	22	-

## SICK AT A GLANCE

SICK is one of the leading manufacturers of intelligent sensors and sensor solutions for industrial applications. A unique range of products and services creates the perfect basis for controlling processes securely and efficiently, protecting individuals from accidents and preventing damage to the environment.

We have extensive experience in a wide range of industries and understand their processes and requirements. With intelligent sensors, we can deliver exactly what our customers need. In application centers in Europe, Asia and North America, system solutions are tested and optimized in accordance with customer specifications. All this makes us a reliable supplier and development partner.

Comprehensive services complete our offering: SICK LifeTime Services provide support throughout the machine life cycle and ensure safety and productivity.

For us, that is “Sensor Intelligence.”

## WORLDWIDE PRESENCE:

Contacts and other locations –[www.sick.com](http://www.sick.com)