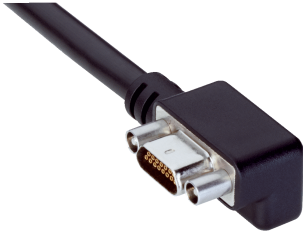


Connecting cable

SICK
Sensor Intelligence.



Ordering information

Type	Part no.
Connecting cable	2077263

Other models and accessories → www.sick.com/

Detailed technical data

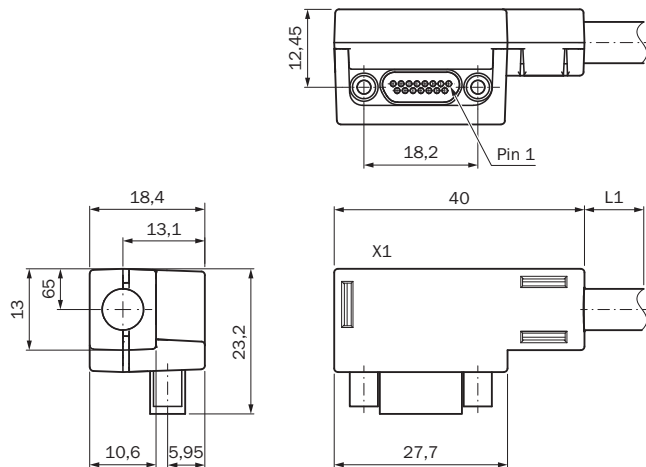
Technical specifications

Accessory group	Plug connectors and cables
Accessory family	Connecting cables
Connection type head A	Male connector, Micro D-Sub, 15-pin, angled
Connection type head B	Flying leads
Connection type	Flying leads
Cable	2 m
Shielding	Shielded
Note	For direct encoder connection

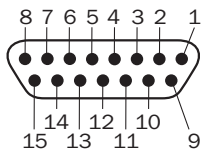
Classifications

eCl@ss 5.0	27279201
eCl@ss 5.1.4	27279201
eCl@ss 6.0	27279201
eCl@ss 6.2	27279201
eCl@ss 7.0	27279201
eCl@ss 8.0	27279201
eCl@ss 8.1	27279201
eCl@ss 9.0	27060311
eCl@ss 10.0	27060311
eCl@ss 11.0	27060311
eCl@ss 12.0	27060311
ETIM 5.0	EC001855
ETIM 6.0	EC001855
ETIM 7.0	EC001855
ETIM 8.0	EC001855
UNSPSC 16.0901	31163032

Dimensional drawing (Dimensions in mm (inch))



PIN assignment



Flying leads, 15-wire							Male connector, Micro D-Sub, 15-pin	
Encoder 1 (E1)	Sin/cos encoder		A/B incremental encoder			SSI encoder	FX3-MOC	
Wire color	Sin/Cos	HIPERFACE®	2 output pairs (HTL 24 V, HTL 12 V, TTL)	2 outputs (HTL 24 V, HTL 12 V, TTL)	2 output pairs (RS-422)	SSI	Pin	Designation
White	Cos+	Cos	A+	A	A+	Data+	1	ENC1_A+
Brown	Cos-	Cos_Ref	A-	GND	A-	Data-	9	ENC1_A-
Green	Sin+	Sin	B+	B	-	-	2	ENC1_B+
Yellow	Sin-	Sin_Ref	B-	GND	-	-	10	ENC1_B-
Gray	-	-	-	-	B+	Clock+	3	ENC1_C+
Pink	-	-	-	-	B-	Clock-	11	ENC1_C-
White-yellow	GND supply voltage						12	ENC_OV
Blue	24 V supply voltage						4	ENC1_24V
Encoder 2 (E2)	Sin/cos encoder		A/B incremental encoder			SSI encoder	FX3-MOC	
Pin	Sin/Cos	HIPERFACE®	2 output pairs (HTL 24 V, HTL 12 V, TTL)	2 outputs (HTL 24 V, HTL 12 V, TTL)	2 output pairs (RS-422)	SSI	Pin	Designation
Black	Cos+	Cos	A+	A	-	Data+	8	ENC2_A+
Violet	Cos-	Cos_Ref	A-	GND	-	Data-	15	ENC2_A-
Gray-pink	Sin+	Sin	B+	B	-	-	7	ENC2_B+
Red-blue	Sin-	Sin_Ref	B-	GND	-	-	14	ENC2_B-
White-green	-	-	-	-	-	Clock+	6	ENC2_C+

Flying leads, 15-wire							Male connector, Micro D-Sub, 15-pin	
Brown-green	-	-	-	-	-	Clock-	13	ENC2_C-
White-yellow	GND supply voltage						12	ENC_0V
Red	24 V supply voltage						5	ENC2_24V

SICK AT A GLANCE

SICK is one of the leading manufacturers of intelligent sensors and sensor solutions for industrial applications. A unique range of products and services creates the perfect basis for controlling processes securely and efficiently, protecting individuals from accidents and preventing damage to the environment.

We have extensive experience in a wide range of industries and understand their processes and requirements. With intelligent sensors, we can deliver exactly what our customers need. In application centers in Europe, Asia and North America, system solutions are tested and optimized in accordance with customer specifications. All this makes us a reliable supplier and development partner.

Comprehensive services complete our offering: SICK LifeTime Services provide support throughout the machine life cycle and ensure safety and productivity.

For us, that is “Sensor Intelligence.”

WORLDWIDE PRESENCE:

Contacts and other locations –www.sick.com