



WTT190L-P3531

PowerProx

MULTITASK PHOTOELECTRIC SENSORS

SICK
Sensor Intelligence.



Illustration may differ



Ordering information

| Type | Part no. |
|---------------|----------|
| WTT190L-P3531 | 6055955 |

Included in delivery: BEF-W190 (1)

Other models and accessories → www.sick.com/PowerProx

Detailed technical data

Features

| | |
|--|--|
| Device type | Photoelectric sensors |
| Sensor/ detection principle | Photoelectric proximity sensor, Background suppression |
| Dimensions (W x H x D) | 17.6 mm x 46.5 mm x 34.1 mm |
| Housing design (light emission) | Rectangular |
| Sensing range max. | 200 mm ... 2,500 mm ¹⁾ |
| Sensing range | 200 mm ... 2,500 mm ^{1) 2)} |
| Type of light | Visible red light |
| Light source | Laser ³⁾ |
| Light spot size (distance) | Ø 10 mm (2,500 mm) |
| Wave length | 658 nm |
| Laser class | 1 (IEC 60825-1 / CDRH 21 CFR 1040.10 & 1040.11) |
| Adjustment | Potentiometer, 4 turns (1 x) |

¹⁾ Object with 6 ... 90 % remission (based on standard white to DIN 5033).

²⁾ Adjustable.

³⁾ Average service life: 100,000 h at T_J = +25 °C.

Mechanics/electronics

| | |
|---------------------------------------|--|
| Supply voltage | 10 V DC ... 30 V DC ¹⁾ |
| Ripple | < 5 V _{pp} ²⁾ |
| Current consumption | 75 mA ³⁾ |
| Switching output | PNP ⁴⁾ |
| Number of switching outputs | 1 (Q ₁) ⁴⁾ |
| Switching mode | Light/dark switching ⁴⁾ |
| Switching mode selector | Selectable via light/dark selector |
| Output current I_{max} | ≤ 100 mA |
| Response time | ≤ 0.5 ms ⁵⁾ |
| Switching frequency | 1,000 Hz ⁶⁾ |
| Analog output | - |
| Input | Sender off |
| Connection type | Cable with plug M12, 5-pin, 0.3 m ⁷⁾ |
| Cable material | PVC |
| Conductor cross-section | 0.14 mm ² |
| Circuit protection | A ⁸⁾ B ⁹⁾ C ¹⁰⁾ |
| Protection class | III |
| Weight | 45 g |
| Housing material | Plastic, ABS |
| Optics material | Plastic, PMMA |
| Enclosure rating | IP67 |
| Items supplied | BEF-W190 mounting bracket |
| Ambient operating temperature | -10 °C ... +50 °C |
| Ambient temperature, storage | -40 °C ... +70 °C |
| Warm-up time | < 5 min ¹¹⁾ |
| Initialization time | < 300 ms |
| UL File No. | NRKH2.E300503 |

¹⁾ Limit values. Operated in short-circuit protected network: max. 8 A.

²⁾ May not exceed or fall below U_v tolerances.

³⁾ Without load. At V_S = 24 V.

⁴⁾ Q₁ = 1 switching threshold, light/dark switching selectable via light/dark selector.

⁵⁾ Signal transit time with resistive load.

⁶⁾ With light/dark ratio 1:1.

⁷⁾ Do not bend below 0 °C.

⁸⁾ A = V_S connections reverse-polarity protected.

⁹⁾ B = inputs and output reverse-polarity protected.

¹⁰⁾ C = interference suppression.

¹¹⁾ For optimum performance observe max. warm-up time of 5 minutes.

Safety-related parameters

| | |
|-------------------------|-----------|
| MTTF_D | 215 years |
|-------------------------|-----------|

| | |
|-------------------------|-----|
| DC_{avg} | 0 % |
|-------------------------|-----|

Classifications

| | |
|-----------------------|----------|
| ECl@ss 5.0 | 27270904 |
| ECl@ss 5.1.4 | 27270904 |
| ECl@ss 6.0 | 27270904 |
| ECl@ss 6.2 | 27270904 |
| ECl@ss 7.0 | 27270904 |
| ECl@ss 8.0 | 27270904 |
| ECl@ss 8.1 | 27270904 |
| ECl@ss 9.0 | 27270904 |
| ECl@ss 10.0 | 27270904 |
| ECl@ss 11.0 | 27270904 |
| ETIM 5.0 | EC002719 |
| ETIM 6.0 | EC002719 |
| ETIM 7.0 | EC002719 |
| ETIM 8.0 | EC002719 |
| UNSPSC 16.0901 | 39121528 |

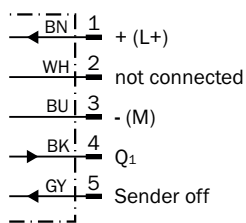
Connection/pin assignment

| | |
|-------------------------------|---|
| Connection type | Cable with plug M12, 5-pin, 0.3 m ¹⁾ |
| Connection type Detail | |
| Cable material | PVC |
| Conductor cross-section | 0.14 mm ² |

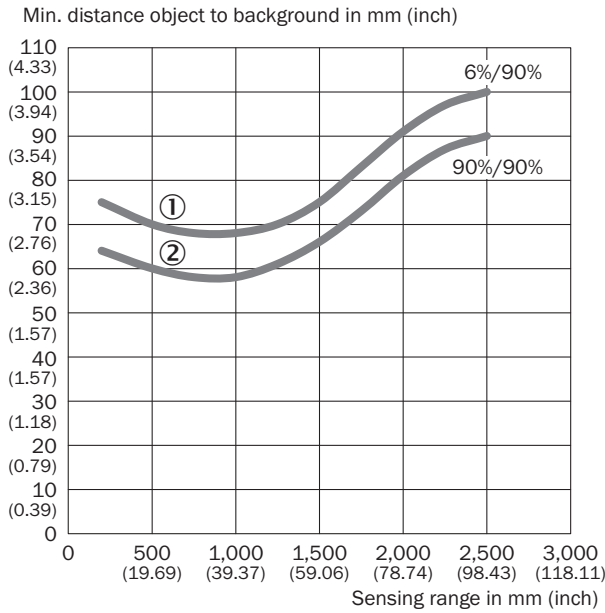
¹⁾ Do not bend below 0 °C.

Connection diagram

Cd-294

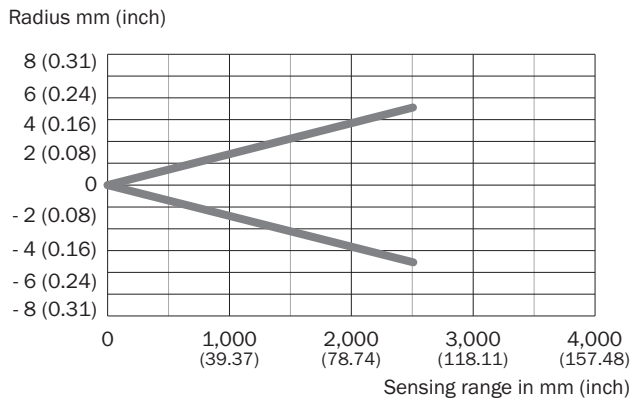


Characteristic curve

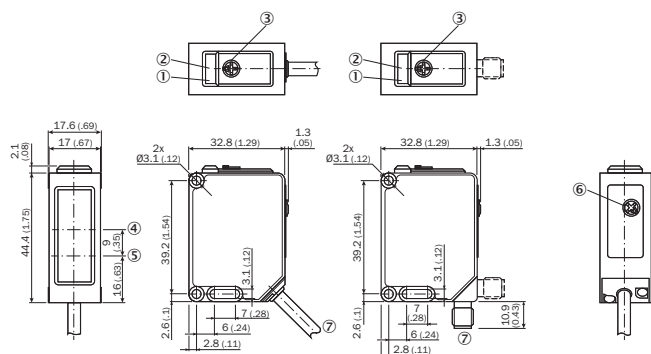


- ① Sensing range on black, 6% remission
- ② Sensing range on white, 90% remission

Light spot size





Dimensional drawing (Dimensions in mm (inch))



- ① Status indicator LED, yellow: Status of output Q1
- ② Status indicator LED, green/red: power on / stability indicator
- ③ Potentiometer
- ④ Optical axis, receiver
- ⑤ Optical axis, sender
- ⑥ Light/dark selector
- ⑦ Connection

Recommended accessories

Other models and accessories → www.sick.com/PowerProx

| | Brief description | Type | Part no. |
|---|---|--------------------|----------|
| Plug connectors and cables | | | |
|  | Head A: female connector, M12, 5-pin, straight, A-coded Head B: Flying leads Cable: Sensor/actuator cable, PVC, unshielded, 5 m | YF2A15-050VB5XLEAX | 2096240 |
|  | Head A: male connector, M12, 5-pin, straight Cable: unshielded For field bus technology | STE-1205-G | 6022083 |

SICK AT A GLANCE

SICK is one of the leading manufacturers of intelligent sensors and sensor solutions for industrial applications. A unique range of products and services creates the perfect basis for controlling processes securely and efficiently, protecting individuals from accidents and preventing damage to the environment.

We have extensive experience in a wide range of industries and understand their processes and requirements. With intelligent sensors, we can deliver exactly what our customers need. In application centers in Europe, Asia and North America, system solutions are tested and optimized in accordance with customer specifications. All this makes us a reliable supplier and development partner.

Comprehensive services complete our offering: SICK LifeTime Services provide support throughout the machine life cycle and ensure safety and productivity.

For us, that is “Sensor Intelligence.”

WORLDWIDE PRESENCE:

Contacts and other locations –www.sick.com