



# L21E-21KA1A

L21

SAFETY SINGLE-BEAM SENSORS

**SICK**  
Sensor Intelligence.



### Ordering information

Scanning range	Model	Housing material	System part	Type	Part no.
16 m	M18 axial	Plastic PBT	Receiver	L21E-21KA1A	6034873

Other models and accessories → [www.sick.com/L21](http://www.sick.com/L21)



### Detailed technical data

#### Features

<b>Scanning range</b>	16 m
<b>Number of beams</b>	1
<b>Optical axis</b>	Axial
<b>Response time</b>	0.2 ms
<b>Response time</b>	0.2 ms + Test device response time

#### Safety-related parameters

<b>Type</b>	Type 2 (IEC 61496-1) <sup>1)</sup>
<b>Safety integrity level</b>	SIL1 (IEC 61508) <sup>1)</sup>
<b>Category</b>	Category 2 (EN ISO 13849) <sup>1)</sup>
<b>Test rate (external test)</b>	100 /s (EN ISO 13849) <sup>2)</sup>
<b>Maximum demand rate</b>	≤ 60 min <sup>-1</sup> (EN ISO 13849) <sup>3)</sup>
<b>Performance level</b>	PL c (EN ISO 13849) <sup>1)</sup>
<b>PFH<sub>D</sub> (mean probability of a dangerous failure per hour)</b>	1.0 x 10 <sup>-6</sup> (EN ISO 13849) <sup>1)</sup>
<b>T<sub>M</sub> (mission time)</b>	20 years (EN ISO 13849)

<sup>1)</sup> Only in combination with an appropriate test device, e.g., Flexi Classic or Flexi Soft.

<sup>2)</sup> The test rate shall not be exceeded.

<sup>3)</sup> Between two requirements on a safety-related response of the device, at least 100 internal or external tests must be carried out.

#### Interfaces

<b>Connection type</b>	Male connector M12, 4-pin, straight
------------------------	-------------------------------------

#### Electrical data

<b>Protection class</b>	III (IEC 61140)
<b>Supply voltage V<sub>S</sub></b>	24 V DC (19.2 V DC ... 28.8 V DC)
<b>Power consumption</b>	≤ 30 mA

<sup>1)</sup> Short-circuit protected.

<b>Switching outputs</b>	PNP, Q <sup>1)</sup>
<b>Current loading</b>	≤ 70 mA

<sup>1)</sup> Short-circuit protected.

#### Mechanical data

<b>Design</b>	Cylindrical
<b>Dimensions (diameter x length)</b>	M18 x 97.7 mm
<b>Housing material</b>	Plastic PBT
<b>Lens material</b>	Glass
<b>Weight</b>	30 g

#### Ambient data

<b>Enclosure rating</b>	IP67 (EN 60529)
<b>Ambient operating temperature</b>	-40 °C ... +55 °C
<b>Storage temperature</b>	-40 °C ... +75 °C
<b>Air humidity</b>	15 % ... 95 %, Non-condensing
<b>Vibration resistance</b>	5 g, 10 Hz ... 55 Hz (IEC 60068-2-6)
<b>Shock resistance</b>	10 g, 16 ms (IEC 60068-2-29)

#### Other information

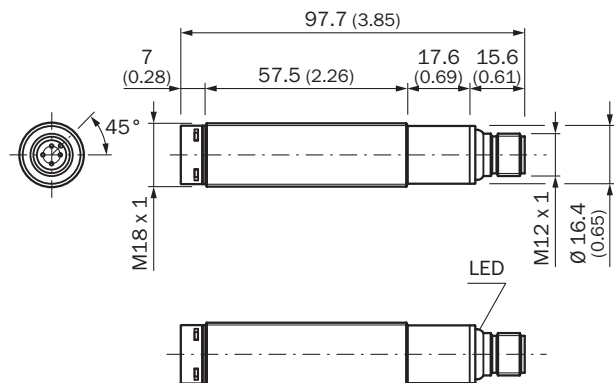
<b>Aperture angle/receiving angle</b>	± 5° / ± 5°
---------------------------------------	-------------

#### Classifications

<b>eCl@ss 5.0</b>	27272701
<b>eCl@ss 5.1.4</b>	27272701
<b>eCl@ss 6.0</b>	27272701
<b>eCl@ss 6.2</b>	27272701
<b>eCl@ss 7.0</b>	27272701
<b>eCl@ss 8.0</b>	27272701
<b>eCl@ss 8.1</b>	27272701
<b>eCl@ss 9.0</b>	27272701
<b>eCl@ss 10.0</b>	27272701
<b>eCl@ss 11.0</b>	27272701
<b>eCl@ss 12.0</b>	27272701
<b>ETIM 5.0</b>	EC001831
<b>ETIM 6.0</b>	EC001831
<b>ETIM 7.0</b>	EC001831
<b>ETIM 8.0</b>	EC001831
<b>UNSPSC 16.0901</b>	46171620




### Dimensional drawing (Dimensions in mm (inch))

M18, axial, straight



### Recommended accessories

Other models and accessories → [www.sick.com/L21](http://www.sick.com/L21)

	Brief description	Type	Part no.
Plug connectors and cables			
	Head A: female connector, M12, 4-pin, straight, A-coded Head B: Flying leads Cable: Sensor/actuator cable, PVC, unshielded, 5 m	YF2A14-050VB3XLEAX	2096235
	Head A: female connector, M12, 4-pin, angled, A-coded Head B: Flying leads Cable: Sensor/actuator cable, PVC, unshielded, 5 m	YG2A14-050VB3XLEAX	2095897
	Head A: female connector, M12, 4-pin, straight Cable: unshielded	DOS-1204-G	6007302
	Head A: female connector, M12, 4-pin, angled Cable: unshielded	DOS-1204-W	6007303

## SICK AT A GLANCE

SICK is one of the leading manufacturers of intelligent sensors and sensor solutions for industrial applications. A unique range of products and services creates the perfect basis for controlling processes securely and efficiently, protecting individuals from accidents and preventing damage to the environment.

We have extensive experience in a wide range of industries and understand their processes and requirements. With intelligent sensors, we can deliver exactly what our customers need. In application centers in Europe, Asia and North America, system solutions are tested and optimized in accordance with customer specifications. All this makes us a reliable supplier and development partner.

Comprehensive services complete our offering: SICK LifeTime Services provide support throughout the machine life cycle and ensure safety and productivity.

For us, that is “Sensor Intelligence.”

## WORLDWIDE PRESENCE:

Contacts and other locations –[www.sick.com](http://www.sick.com)