



ER12-SD5E8

ER12

SAFETY COMMAND DEVICES

SICK
Sensor Intelligence.



Ordering information

Type	Part no.
ER12-SD5E8	6051321

Product consists of UL certified components (ER12-H28 (a) und ER12-A3). See UL certificate number: E363214 and E198242

Other models and accessories → www.sick.com/ER12

Detailed technical data

Features

Number of N/O contacts	2
Pushbuttons (illuminable)	✓
Actuation directions	1
Dimensions (W x H x D)	40 mm x 123 mm x 36 mm
Items supplied	Including brackets, 6 cover caps (blue, black, green, yellow, 2x transparent) and 8 labeled uses (START, RESET, ON, LOCK, UNLOCK, RESET/OVERRIDE, OVERRIDE, TEACH)

Safety-related parameters

B_{10d} parameter	1 x 10 ⁶ switching cycles
----------------------------------	--------------------------------------

Functions

Safe series connection	None, only individual wiring (with diagnostics)
-------------------------------	---

Interfaces

Connection type	Plug connector, M12, 8-pin
Coupling nut material	PBT

Electrical data

Operating data

Protection class	III (EN 61140)
Switching principle	Slow action switching element
Number of N/O contacts	2
Power consumption	≤ 250 W
Rated operating current (voltage)	5 mA ... 100 mA (5 V ... 30 V)
Contact material	AgNi, 5 µm gold plated
Electrical life	
Reset pushbutton	1 x 10 ⁶ switching cycles

Illumination

Supply voltage V_s	30 V AC/DC
-------------------------------------	------------

Power consumption	14 mA (24 V DC)
--------------------------	-----------------

Mechanical data

Dimensions	40 mm x 123 mm x 36 mm
Weight	116 g
Housing material	PBT
Mechanical life	
Reset pushbutton	1 x 10 ⁶ switching cycles

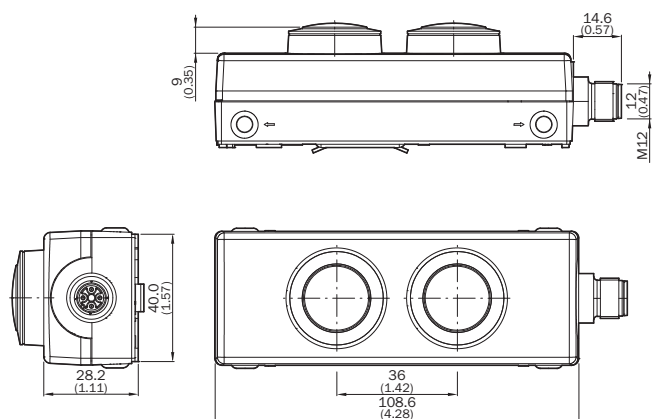
Ambient data

Enclosure rating	IP65 (EN 60529)
Ambient operating temperature	-25 °C ... +70 °C
Storage temperature	-25 °C ... +80 °C

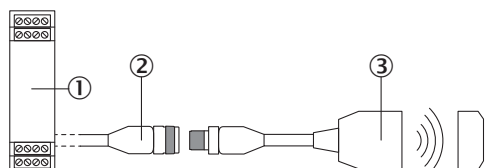
Classifications

eCl@ss 5.0	27379090
eCl@ss 5.1.4	27371246
eCl@ss 6.0	27371246
eCl@ss 6.2	27371246
eCl@ss 7.0	27371246
eCl@ss 8.0	27371246
eCl@ss 8.1	27371246
eCl@ss 9.0	27371246
eCl@ss 10.0	27371246
eCl@ss 11.0	27371246
eCl@ss 12.0	27371246
ETIM 5.0	EC000029
ETIM 6.0	EC000029
ETIM 7.0	EC000029
ETIM 8.0	EC000029
UNSPSC 16.0901	39122216

Dimensional drawing (Dimensions in mm (inch))

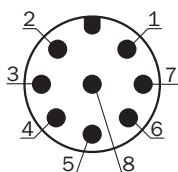


Connection single sensor



- ① Safe evaluation unit
- ② Connecting cable with M12 female connector, 8-pin and flying leads (e.g. YF2A18-xxxUA5LEAX)
- ③ ER12-SD5E8 dual pushbutton

Pin assignment



Pin	Description
1/2	Normally open pushbutton 1
3	Lamp pushbutton 1 (X1+)
4	Lamp pushbutton 1 (X2-)
5/6	Normally open pushbutton 2
7	Lamp pushbutton 2 (X1+)
8	Lamp pushbutton 2 (X2-)

For details see operating instructions

Recommended accessories

Other models and accessories → www.sick.com/ER12

	Brief description	Type	Part no.
Plug connectors and cables			
	Head A: female connector, M12, 8-pin, straight, A-coded Head B: Flying leads Cable: Sensor/actuator cable, PUR, halogen-free, unshielded, 5 m	YF2A18-050UA5XLEAX	2095653
	Head A: female connector, M12, 8-pin, straight, A-coded Head B: Flying leads Cable: Sensor/actuator cable, PUR, halogen-free, unshielded, 10 m	YF2A18-100UA5XLEAX	2095654
	Head A: female connector, M12, 8-pin, straight, A-coded Head B: Flying leads Cable: Sensor/actuator cable, PUR, halogen-free, unshielded, 15 m	YF2A18-150UA5XLEAX	2095679

SICK AT A GLANCE

SICK is one of the leading manufacturers of intelligent sensors and sensor solutions for industrial applications. A unique range of products and services creates the perfect basis for controlling processes securely and efficiently, protecting individuals from accidents and preventing damage to the environment.

We have extensive experience in a wide range of industries and understand their processes and requirements. With intelligent sensors, we can deliver exactly what our customers need. In application centers in Europe, Asia and North America, system solutions are tested and optimized in accordance with customer specifications. All this makes us a reliable supplier and development partner.

Comprehensive services complete our offering: SICK LifeTime Services provide support throughout the machine life cycle and ensure safety and productivity.

For us, that is “Sensor Intelligence.”

WORLDWIDE PRESENCE:

Contacts and other locations – www.sick.com