



ISD400-6111

ISD400

OPTICAL DATA TRANSMISSION

SICK
Sensor Intelligence.



Illustration may differ



Ordering information

Type	Part no.
ISD400-6111	1046119

Data transmission requires two devices. The second device must be ordered separately.

Other models and accessories → www.sick.com/ISD400

Detailed technical data

Mechanics/electronics

Supply voltage V_s	DC 18 V ... 30 V
Power consumption	$\leq 4.8 \text{ W}^{1)}$
Connection type	Connector, M12, 4-pin
Enclosure rating	IP65
Protection class	III

¹⁾ Without load.

Performance

Transmission range	0.2 m ... 180 m
Light source	LED, infrared (880 nm)
Typ. light spot size (distance)	1.75 m (at 100 m)
Aperture angle	Ca. $\pm 0.5^\circ$

Interfaces

Ethernet	✓
Remark	Internal buffer 8 kB
Data transmission rate	3 Mbit/s
Digital input	V_s : sender deactivated
Digital output	
Number	1 ¹⁾
Type	PNP
Signal delay	$\leq 350 \mu\text{s}$, + no. of Bytes x 8 / 3 Mbit/s ²⁾

¹⁾ HIGH: $U_v - 3 \text{ V}$, LOW: $< 2 \text{ V}$.

²⁾ $1 \mu\text{s} + 2 \text{ Tbit}$ only for PROFIBUS.

Ambient data

Electromagnetic compatibility (EMC)	EN 61000-6-2 ¹⁾ EN 61000-6-4
Ambient temperature, operation	$-25 \text{ }^\circ\text{C} \dots +55 \text{ }^\circ\text{C}$

¹⁾ This is a Class A device. This device can cause radio interference in living quarters.

Ambient temperature, storage	-40 °C ... +75 °C
Max. rel. humidity (not condensing)	90 %, Non-condensing

¹⁾ This is a Class A device. This device can cause radio interference in living quarters.

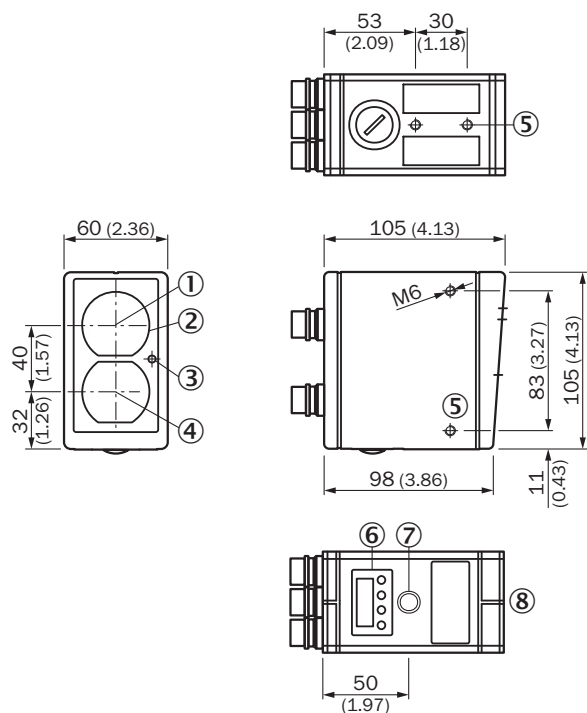
General notes

Note	2 devices are required to construct a data transmission path. The devices are identical and must be ordered separately. Frequencies F1 and F2 can be set.
-------------	---

Classifications

eCl@ss 5.0	19039001
eCl@ss 5.1.4	19039001
eCl@ss 6.0	19179090
eCl@ss 6.2	19179090
eCl@ss 7.0	19179090
eCl@ss 8.0	19179090
eCl@ss 8.1	19179090
eCl@ss 9.0	19179090
eCl@ss 10.0	19179090
eCl@ss 11.0	19170500
eCl@ss 12.0	19170500
ETIM 5.0	EC000515
ETIM 6.0	EC000515
ETIM 7.0	EC000515
ETIM 8.0	EC000515
UNSPSC 16.0901	43201404

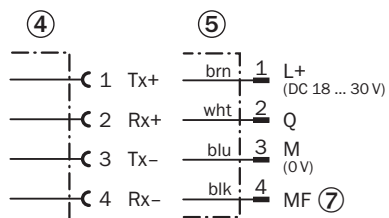
Dimensional drawing (Dimensions in mm (inch))



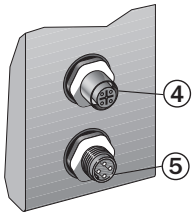
- ① Optical axis, sender
- ② View finder lens
- ③ Function indicator/level warning
- ④ Optical axis, receiver
- ⑤ Threaded mounting hole M6
- ⑥ Liquid crystal display with function keys
- ⑦ Optical adjustment aid
- ⑧ Alignment sight

Connection type

ISD400 Ethernet



Connection diagram



⑦ Multifunctional input (MF)


Adjustment possible



⑥ Liquid crystal display with function keys

Recommended accessories

Other models and accessories → www.sick.com/ISD400

	Brief description	Type	Part no.
Terminal and alignment brackets			
	Alignment unit for DME4000/ISD400, aluminum, anodised	BEF-DME/ISD	2046052

Recommended services

Additional services → www.sick.com/ISD400

	Type	Part no.
Extended warranty		
<ul style="list-style-type: none"> • Product area: Identification solutions, machine vision, Distance sensors, Detection and ranging solutions • Range of services: The services correspond to the scope of the statutory manufacturer warranty (SICK general terms of delivery). • Duration: Five-year warranty from delivery date. 	Extended warranty for a total of five years from delivery date	1680671

SICK AT A GLANCE

SICK is one of the leading manufacturers of intelligent sensors and sensor solutions for industrial applications. A unique range of products and services creates the perfect basis for controlling processes securely and efficiently, protecting individuals from accidents and preventing damage to the environment.

We have extensive experience in a wide range of industries and understand their processes and requirements. With intelligent sensors, we can deliver exactly what our customers need. In application centers in Europe, Asia and North America, system solutions are tested and optimized in accordance with customer specifications. All this makes us a reliable supplier and development partner.

Comprehensive services complete our offering: SICK LifeTime Services provide support throughout the machine life cycle and ensure safety and productivity.

For us, that is “Sensor Intelligence.”

WORLDWIDE PRESENCE:

Contacts and other locations –www.sick.com