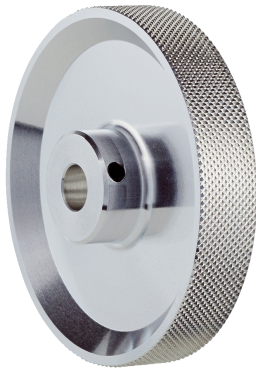


BEF-MR08200AK

**SICK**  
Sensor Intelligence.



## Ordering information

| Type          | Part no. |
|---------------|----------|
| BEF-MR08200AK | 4084741  |

Other models and accessories → [www.sick.com/](http://www.sick.com/)

## Detailed technical data

### Technical specifications

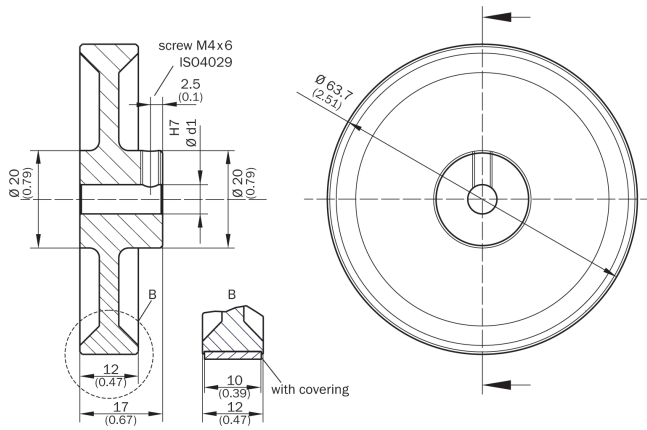
|                                      |  |
|--------------------------------------|--|
| <b>Accessory group</b>               | Other mounting accessories   |
| <b>Accessory family</b>              | Measuring wheels and measuring wheel systems   |
| <b>Description</b>                   | Aluminum measuring wheel with cross-knurled surface for 8 mm solid shaft, circumference 200 mm |
| <b>Weight</b>                        | 60 g   |
| <b>Circumference</b>                 | 200 mm   |
| <b>Bore diameter</b>                 | 8 mm   |
| <b>Surface</b>                       | Cross knurled aluminium  |
| <b>Ambient operating temperature</b> | -30 °C ... +80 °C  |
| <b>Measuring surface</b>             | Cardboard<br>Wood<br>Textiles<br>Vulcanized Rubber<br>Soft plastic                             |
| <b>Moment of inertia</b>             | 310 gcm <sup>2</sup>   |

### Classifications

|                     |          |
|---------------------|----------|
| <b>eCl@ss 5.0</b>   | 21160104 |
| <b>eCl@ss 5.1.4</b> | 21160104 |
| <b>eCl@ss 6.0</b>   | 21160104 |
| <b>eCl@ss 6.2</b>   | 21160104 |
| <b>eCl@ss 7.0</b>   | 21160104 |
| <b>eCl@ss 8.0</b>   | 21160104 |
| <b>eCl@ss 8.1</b>   | 21160104 |
| <b>eCl@ss 9.0</b>   | 21160104 |
| <b>eCl@ss 10.0</b>  | 21160104 |
| <b>eCl@ss 11.0</b>  | 21160104 |
| <b>eCl@ss 12.0</b>  | 21160104 |
| <b>ETIM 5.0</b>     | EC002179 |
| <b>ETIM 6.0</b>     | EC002179 |

|                |          |
|----------------|----------|
| ETIM 7.0       | EC002179 |
| ETIM 8.0       | EC002179 |
| UNSPSC 16.0901 | 25191839 |

Dimensional drawing (Dimensions in mm (inch))



## SICK AT A GLANCE

SICK is one of the leading manufacturers of intelligent sensors and sensor solutions for industrial applications. A unique range of products and services creates the perfect basis for controlling processes securely and efficiently, protecting individuals from accidents and preventing damage to the environment.

We have extensive experience in a wide range of industries and understand their processes and requirements. With intelligent sensors, we can deliver exactly what our customers need. In application centers in Europe, Asia and North America, system solutions are tested and optimized in accordance with customer specifications. All this makes us a reliable supplier and development partner.

Comprehensive services complete our offering: SICK LifeTime Services provide support throughout the machine life cycle and ensure safety and productivity.

For us, that is “Sensor Intelligence.”

## WORLDWIDE PRESENCE:

Contacts and other locations –[www.sick.com](http://www.sick.com)