



YF2A28-020XXXLEAX Y-junctions

SICK
Sensor Intelligence.



Ordering information

Type	Part no.
YF2A28-020XXXLEAX Y-junctions	6048329

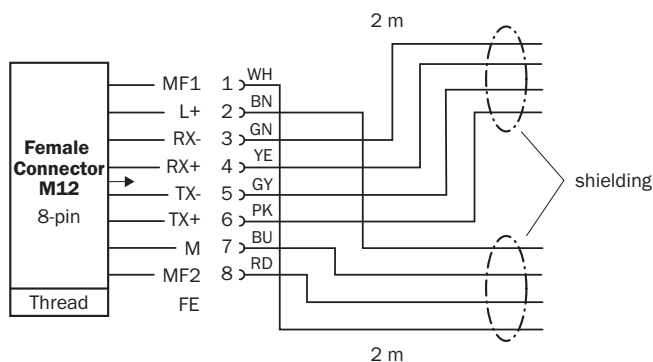
Other models and accessories → www.sick.com/

Detailed technical data

Technical specifications

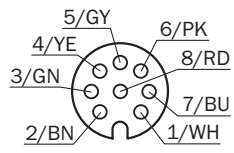
Accessory family	Y-junctions
Connection type head A	Female connector, M12, 8-pin, A-coded
Connection type head B	Flying leads
Connection type head C	Flying leads
Connecting cable	2 m, PUR
Cable material	PUR
Conductor cross section	0.25 mm ²
Housing material	PUR
Bending radius	
	Flexible use 57 mm
Enclosure rating	IP65 / IP67
Description	Twisted pairs, shielded
Ambient operating temperature	
	Flexible use -5 °C ... +70 °C
	Stationary position -40 °C ... +80 °C

Anschlusschema



- ① White
- ② Brown
- ③ Green
- ④ Yellow
- ⑤ Gray
- ⑥ Pink
- ⑦ Blue
- ⑧ Red

PIN assignment



- ① White
- ② Brown
- ③ Green
- ④ Yellow
- ⑤ Gray
- ⑥ Pink
- ⑦ Blue
- ⑧ Red

SICK AT A GLANCE

SICK is one of the leading manufacturers of intelligent sensors and sensor solutions for industrial applications. A unique range of products and services creates the perfect basis for controlling processes securely and efficiently, protecting individuals from accidents and preventing damage to the environment.

We have extensive experience in a wide range of industries and understand their processes and requirements. With intelligent sensors, we can deliver exactly what our customers need. In application centers in Europe, Asia and North America, system solutions are tested and optimized in accordance with customer specifications. All this makes us a reliable supplier and development partner.

Comprehensive services complete our offering: SICK LifeTime Services provide support throughout the machine life cycle and ensure safety and productivity.

For us, that is “Sensor Intelligence.”

WORLDWIDE PRESENCE:

Contacts and other locations –www.sick.com