

BEF-WNLO1MPA

**SICK**  
Sensor Intelligence.



## Ordering information

Type	Part no.
BEF-WNLO1MPA	2065973

Other models and accessories → [www.sick.com/](http://www.sick.com/)

## Detailed technical data

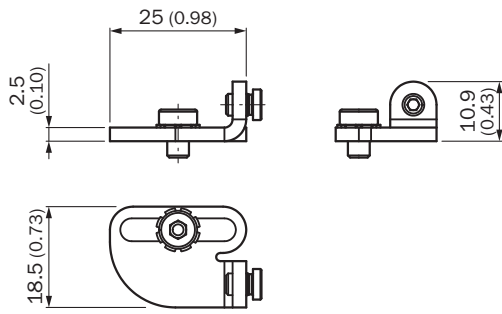
### Technical specifications

<b>Accessory group</b>	Mounting brackets and plates
<b>Accessory family</b>	Mounting brackets
<b>Material</b>	Stainless steel V2A (bracket/mounting screw), Brass (fixing screw)
<b>Description</b>	Bracket for low mounting
<b>Usable for</b>	MPA-107 mm ... 251 mm (sensor measuring range), 2 (recommended number of brackets) MPA-287 mm ... 431 mm (measuring range sensor), 3 (recommended number mounting brackets) MPA-467 mm ... 647 mm (measuring range sensor), 4 (recommended number mounting brackets) MPA-683 mm ... 791 mm (measuring range sensor), 5 (recommended number mounting brackets) MPA-827 mm ... 1007 mm (measuring range sensor), 6 (recommended number mounting brackets)

### Classifications

<b>ECl@ss 5.0</b>	27279202
<b>ECl@ss 5.1.4</b>	27279202
<b>ECl@ss 6.0</b>	27279202
<b>ECl@ss 6.2</b>	27279202
<b>ECl@ss 7.0</b>	27279202
<b>ECl@ss 8.0</b>	27279202
<b>ECl@ss 8.1</b>	27279202
<b>ECl@ss 9.0</b>	27273701
<b>ECl@ss 10.0</b>	27273701
<b>ECl@ss 11.0</b>	27273701
<b>ETIM 5.0</b>	EC002615
<b>ETIM 6.0</b>	EC002615
<b>ETIM 7.0</b>	EC002615
<b>UNSPSC 16.0901</b>	32131023

## Dimensional drawing (Dimensions in mm (inch))



## SICK AT A GLANCE

SICK is one of the leading manufacturers of intelligent sensors and sensor solutions for industrial applications. A unique range of products and services creates the perfect basis for controlling processes securely and efficiently, protecting individuals from accidents and preventing damage to the environment.

We have extensive experience in a wide range of industries and understand their processes and requirements. With intelligent sensors, we can deliver exactly what our customers need. In application centers in Europe, Asia and North America, system solutions are tested and optimized in accordance with customer specifications. All this makes us a reliable supplier and development partner.

Comprehensive services complete our offering: SICK LifeTime Services provide support throughout the machine life cycle and ensure safety and productivity.

For us, that is “Sensor Intelligence.”

## WORLDWIDE PRESENCE:

Contacts and other locations –[www.sick.com](http://www.sick.com)