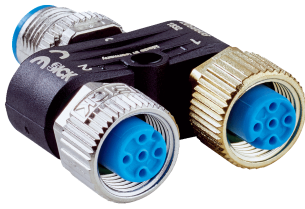


YM2A15-000S01FY2A5

SICK
Sensor Intelligence.



Ordering information

Type	Part no.
YM2A15-00S01FY2A5	2099606

Other models and accessories → www.sick.com/

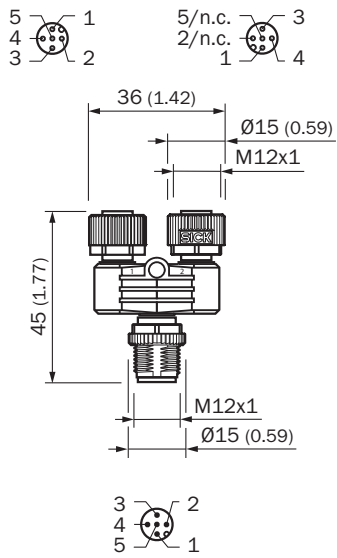


Detailed technical data

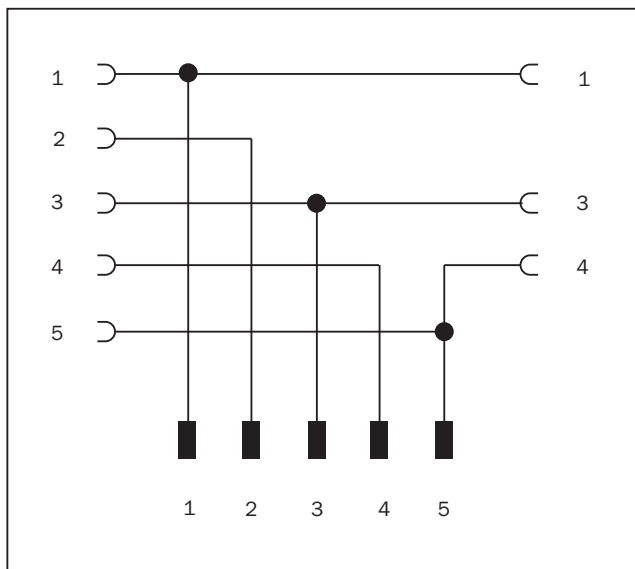
Technical specifications

Accessory family	Y-junctions
Connection type head A	Male connector, M12, 5-pin, A-coded
Connection type head B	Female connector, M12, 5-pin, A-coded
Connection type head C	Female connector, M12, 3-pin, A-coded
Locking plug connector	Screw connection
Signal type	Sensor/actuator cable
Connector material head A	TPU
Connector material head B	TPU
Connector material head C	TPU
Material knurled screw head A	Zinc die-cast, nickel-plated
Material knurled screw head B	Zinc diecast, brassed
Material knurled screw head C	Zinc die-cast, nickel-plated
Width across flats	13
Tightening torque	0.6 Nm
Shielding, head	Unshielded
Reference voltage	≤ 60 V DC
Rated impulse voltage	1.5 kV
Current loading	4 A
Insulation resistance	100 MΩ
Contamination rating	3
Overvoltage category	III
Specific insulation resistance	30 mΩ
Enclosure rating	IP65 / IP66K / IP67
Ambient operating temperature	
	Head -25 °C ... +85 °C
UL File No.	E335179
Authorizations	CE UL

Dimensional drawing (Dimensions in mm (inch))



Anschlussschema



SICK AT A GLANCE

SICK is one of the leading manufacturers of intelligent sensors and sensor solutions for industrial applications. A unique range of products and services creates the perfect basis for controlling processes securely and efficiently, protecting individuals from accidents and preventing damage to the environment.

We have extensive experience in a wide range of industries and understand their processes and requirements. With intelligent sensors, we can deliver exactly what our customers need. In application centers in Europe, Asia and North America, system solutions are tested and optimized in accordance with customer specifications. All this makes us a reliable supplier and development partner.

Comprehensive services complete our offering: SICK LifeTime Services provide support throughout the machine life cycle and ensure safety and productivity.

For us, that is “Sensor Intelligence.”

WORLDWIDE PRESENCE:

Contacts and other locations –www.sick.com