



WSE130L-54

W130 Laser

MINIATURE PHOTOELECTRIC SENSORS

SICK
Sensor Intelligence.



Illustration may differ



Ordering information

Type	Part no.
WSE130L-54	6029868

Other models and accessories → www.sick.com/W130_Laser

Detailed technical data

Features

Device type	Photoelectric sensors
Sensor/ detection principle	Through-beam photoelectric sensor
Dimensions (W x H x D)	13.4 mm x 47 mm x 52.9 mm
Housing design (light emission)	Rectangular
Sensing range max.	0 m ... 3.5 m
Type of light	Visible red light
Light source	Laser ¹⁾
Laser class	1, EN 60 825-1
XXX	30 mm x 2.5 mm (parallel)
Adjustment	None

¹⁾ Average service life: 50,000 h at T_U = +25 °C.

Mechanics/electronics

Connection type	Cable with connector and coupling, 2 m ^{1) 2)}
Cable material	PVC/PBT
Protection class	III
Weight	100 g
Housing material	Plastic, PC
Optics material	Plastic, PMMA
Enclosure rating	IP67
Ambient operating temperature	-10 °C ... +55 °C
Ambient temperature, storage	-25 °C ... +70 °C

¹⁾ M8 system cable, 2 m required for connection. Included with delivery.

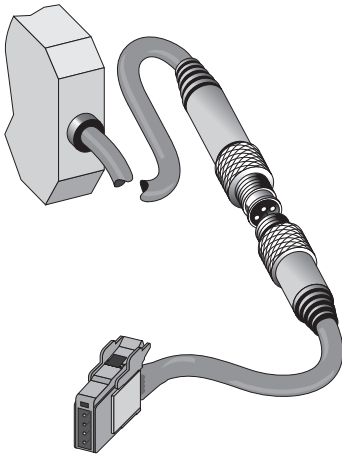
²⁾ Do not bend below 0 °C.

Classifications

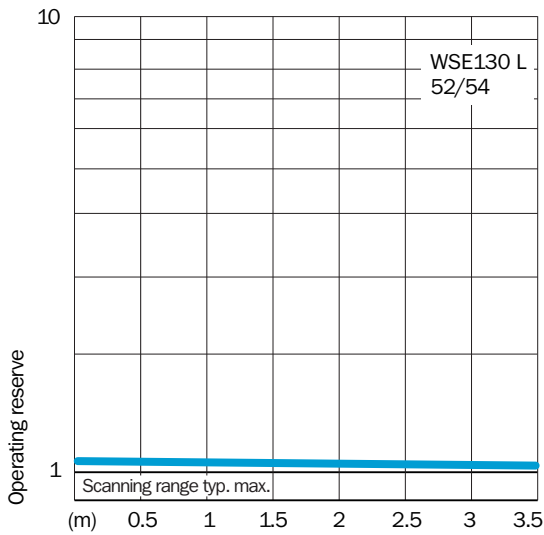
ECl@ss 5.0	27270901
-------------------	----------

ECl@ss 5.1.4	27270901
ECl@ss 6.0	27270901
ECl@ss 6.2	27270901
ECl@ss 7.0	27270901
ECl@ss 8.0	27270901
ECl@ss 8.1	27270901
ECl@ss 9.0	27270901
ECl@ss 10.0	27270901
ECl@ss 11.0	27270901
ECl@ss 12.0	27270901
ETIM 5.0	EC002716
ETIM 6.0	EC002716
ETIM 7.0	EC002716
ETIM 8.0	EC002716
UNSPSC 16.0901	39121528

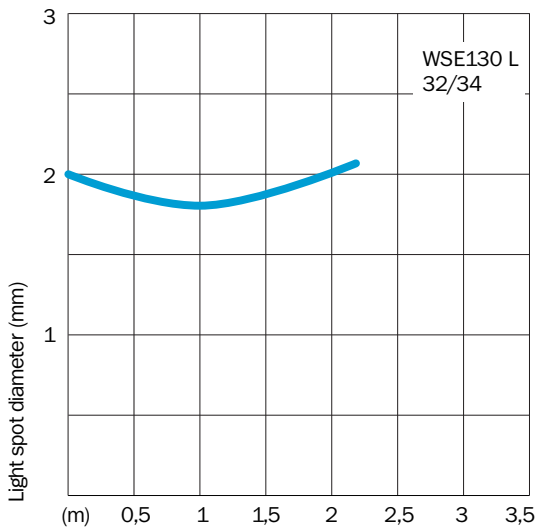
Connection type



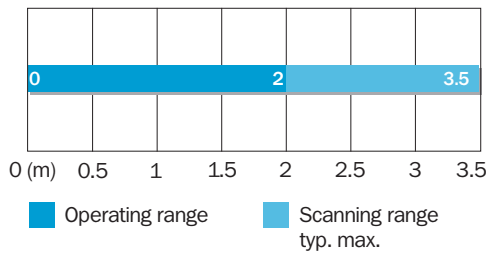
Characteristic curve



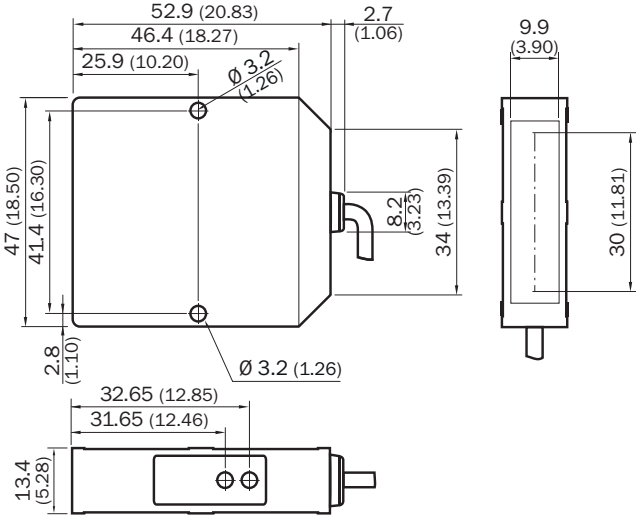
Light spot size



Sensing range diagram



Dimensional drawing (Dimensions in mm (inch))



- ① Mounting hole \varnothing 3.2 mm
- ② Parallel laser line
- ③ LED indicator green: Supply voltage active
- ④ LED indicator orange: switching output active

SICK AT A GLANCE

SICK is one of the leading manufacturers of intelligent sensors and sensor solutions for industrial applications. A unique range of products and services creates the perfect basis for controlling processes securely and efficiently, protecting individuals from accidents and preventing damage to the environment.

We have extensive experience in a wide range of industries and understand their processes and requirements. With intelligent sensors, we can deliver exactly what our customers need. In application centers in Europe, Asia and North America, system solutions are tested and optimized in accordance with customer specifications. All this makes us a reliable supplier and development partner.

Comprehensive services complete our offering: SICK LifeTime Services provide support throughout the machine life cycle and ensure safety and productivity.

For us, that is “Sensor Intelligence.”

WORLDWIDE PRESENCE:

Contacts and other locations –www.sick.com