



LLTE-R1400111020E3

LLX

FIBERS

**SICK**  
Sensor Intelligence.



Illustration may differ

### Ordering information

Type	Part no.
LLTE-R1400111020E3	2115014

**Included in delivery:** LLAC-AB10 (1), LLAC-AB13 (1), LLAC-FC (1)

Other models and accessories → [www.sick.com/LLX](http://www.sick.com/LLX)

### Detailed technical data

#### Features

<b>Device type</b>	Fibers
<b>Functional principle</b>	Proximity system
<b>Fiber-optic cable cuttable</b>	✓
<b>Special features</b>	Coaxial fiber arrangement
<b>Adapter sleeves required</b>	Yes (1 x LLAC-AB10 / 1 x LLAC-AB13)
<b>Items supplied</b>	1 x fiber cutter (LLAC-FC), M4 mounting set (2 x M4 nut + 2 x M4 washer), 2 x fiber adapter bushing (1 x LLAC-AB10 + 1 x LLAC-AB13)

#### Mechanical data

<b>Housing</b>	Cylindrical with thread
<b>Design detail</b>	Radial
<b>Thread diameter (housing)</b>	M4
<b>Connection detail</b>	
Cable diameter	1 x 1.0 mm (sender) / 1 x 1.3 mm (receiver)
Length of cable (L)	2 m
Bending radius	5 mm
<b>Material</b>	
Housing	Stainless steel, Stainless steel V2A (1.4301)
Cable	Plastic, PE
Fibers	Plastic, PMMA
<b>Fiber diameter (and quantity of fibers)</b>	1 x 0.5 mm (sender) / 9 x 0.25 mm (receiver)

#### Ambient data

<b>Ambient operating temperature</b>	-40 °C ... +60 °C
<b>RoHS certificate</b>	✓

#### Classifications

<b>eCl@ss 5.0</b>	27270905
<b>eCl@ss 5.1.4</b>	27270905
<b>eCl@ss 6.0</b>	27270905
<b>eCl@ss 6.2</b>	27270905

eCl@ss 7.0	27270905
eCl@ss 8.0	27270905
eCl@ss 8.1	27270905
eCl@ss 9.0	27270905
eCl@ss 10.0	27270905
eCl@ss 11.0	27270905
eCl@ss 12.0	27270905
ETIM 5.0	EC002651
ETIM 6.0	EC002651
ETIM 7.0	EC002651
ETIM 8.0	EC002651
UNSPSC 16.0901	39121528

Sensing ranges with WLL180T

Operating mode 16 µs	25 mm
Operating mode 70 µs	60 mm
Operating mode 250 µs	115 mm
Operating mode 2 ms	250 mm
Operating mode 8 ms	280 mm

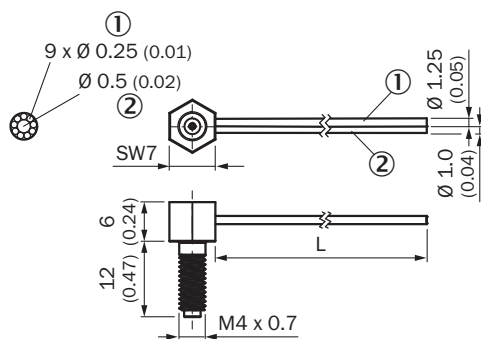
Sensing ranges with GLL170

Operating mode 250 µs	30 mm
-----------------------	-------

Sensing ranges with GLL170T

Operating mode 50 µs	40 mm
Operating mode 250 µs	65 mm

Dimensional drawing (Dimensions in mm (inch))






For length of cable (L), see technical data

- ① Receiver
- ② Sender

### Recommended accessories

Other models and accessories → [www.sick.com/LLX](http://www.sick.com/LLX)

	Brief description	Type	Part no.
Other adapters			
	Adapter sleeve for Ø 1.0 mm LLX fibers for adaptation to Ø 2.2 mm, in LLX scope of delivery	LLAC-AB10	2119446
	Adapter sleeve for Ø 1.3 mm LLX fibers for adaptation to Ø 2.2 mm, in LLX scope of delivery	LLAC-AB13	2119447
	Fiber cutting tool, in LLX scope of delivery	LLAC-FC	2119448

## SICK AT A GLANCE

SICK is one of the leading manufacturers of intelligent sensors and sensor solutions for industrial applications. A unique range of products and services creates the perfect basis for controlling processes securely and efficiently, protecting individuals from accidents and preventing damage to the environment.

We have extensive experience in a wide range of industries and understand their processes and requirements. With intelligent sensors, we can deliver exactly what our customers need. In application centers in Europe, Asia and North America, system solutions are tested and optimized in accordance with customer specifications. All this makes us a reliable supplier and development partner.

Comprehensive services complete our offering: SICK LifeTime Services provide support throughout the machine life cycle and ensure safety and productivity.

For us, that is “Sensor Intelligence.”

## WORLDWIDE PRESENCE:

Contacts and other locations –[www.sick.com](http://www.sick.com)