



WFM36-28P521S03

WFM

FORK SENSORS

SICK
Sensor Intelligence.



Illustration may differ



Ordering information

Type	Part no.
WFM36-28P521S03	6070062

Other models and accessories → www.sick.com/WFM

Detailed technical data

Features

Functional principle	Optical detection principle
Dimensions (W x H x D)	67.5 mm x 60.8 mm x 45.5 mm
Housing design	Fork shaped
Fork width	36 mm
Fork depth	28 mm
Minimum detectable object (MDO)	3.5 mm
Light source	LED, red
Adjustment	None

Mechanics/electronics

Supply voltage	10 V DC ... 30 V DC ¹⁾
Ripple	< 10 % ²⁾
Current consumption	< 20 mA ³⁾
Switching frequency	4 kHz ⁴⁾
Response time	125 μs ⁵⁾
Stability of response time	± 15 μs
Switching output	PNP
Switching output (voltage)	PNP: HIGH = V _S - ≤ 1.5 V / LOW = 0 V NPN: HIGH = approx. V _S / LOW ≤ 1.5 V
Switching mode	Dark switching
Output current I_{max.}	100 mA

¹⁾ Limit values, reverse-polarity protected, operation in short-circuit protected network: max. 8 A.

²⁾ May not exceed or fall below U_V tolerances.

³⁾ Without load.

⁴⁾ With light/dark ratio 1:1.

⁵⁾ Signal transit time with resistive load.

⁶⁾ Reference voltage DC 50 V.

⁷⁾ Depending on fork width.

Initialization time	140 ms
Connection type	Cable with MOLEX-connector, 4-pin, 2 m
Cable diameter	Ø 4 mm
Protection class	III ⁶⁾
Circuit protection	U _V connections, reverse polarity protected Output Q short-circuit protected Interference pulse suppression
Enclosure rating	IP67
Weight	Approx. 80 g ... 190 g ⁷⁾
Housing material	Plastic

¹⁾ Limit values, reverse-polarity protected, operation in short-circuit protected network: max. 8 A.

²⁾ May not exceed or fall below U_V tolerances.

³⁾ Without load.

⁴⁾ With light/dark ratio 1:1.

⁵⁾ Signal transit time with resistive load.

⁶⁾ Reference voltage DC 50 V.

⁷⁾ Depending on fork width.

Ambient data

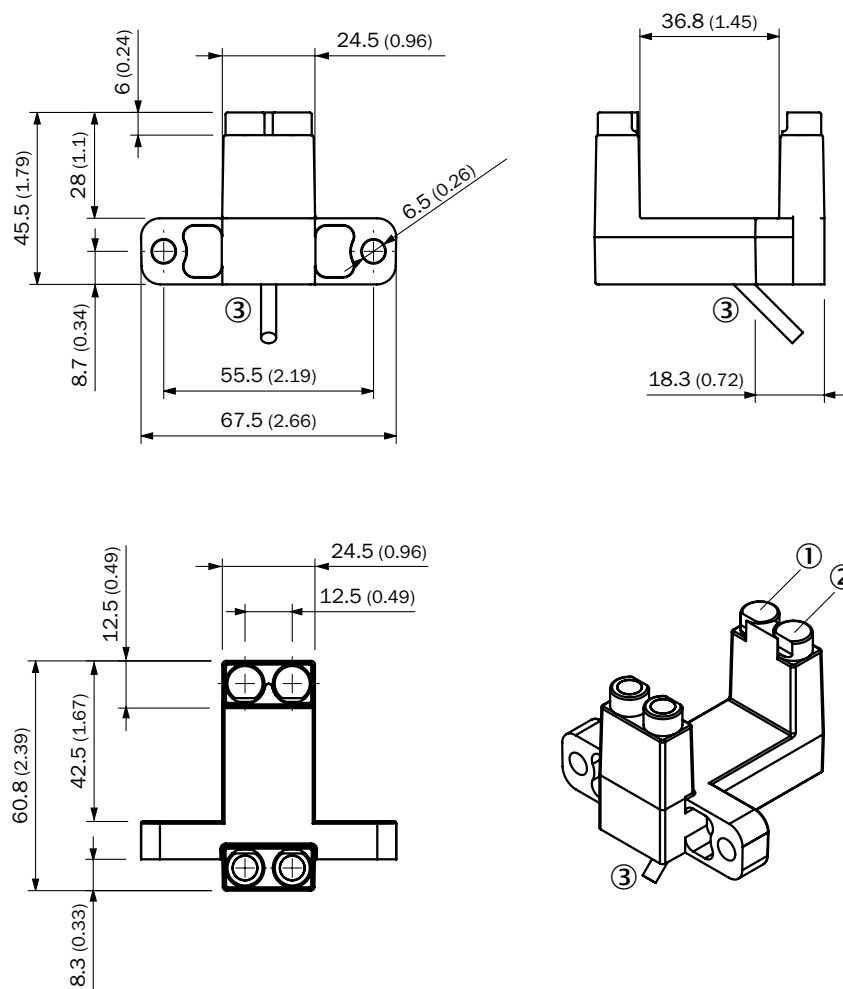
Ambient operating temperature	-10 °C ... +60 °C ¹⁾
Ambient temperature, storage	-40 °C ... +80 °C
Ambient light immunity	≤ 10,000 lx
Shock load	According to EN 60068-2-27
UL File No.	NRKH.E191603 & NRKH7.E191603

¹⁾ Do not bend below 0 °C.

Classifications

eCl@ss 5.0	27270909
eCl@ss 5.1.4	27270909
eCl@ss 6.0	27270909
eCl@ss 6.2	27270909
eCl@ss 7.0	27270909
eCl@ss 8.0	27270909
eCl@ss 8.1	27270909
eCl@ss 9.0	27270909
eCl@ss 10.0	27270909
eCl@ss 11.0	27270909
eCl@ss 12.0	27270909
ETIM 5.0	EC002720
ETIM 6.0	EC002720
ETIM 7.0	EC002720
ETIM 8.0	EC002720
UNSPSC 16.0901	39121528

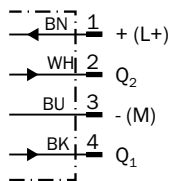
Dimensional drawing (Dimensions in mm (inch))



- ① Status LEDs output Q₁
- ② Status LEDs output Q₂
- ③ Connection

Connection diagram

Cd-243



SICK AT A GLANCE

SICK is one of the leading manufacturers of intelligent sensors and sensor solutions for industrial applications. A unique range of products and services creates the perfect basis for controlling processes securely and efficiently, protecting individuals from accidents and preventing damage to the environment.

We have extensive experience in a wide range of industries and understand their processes and requirements. With intelligent sensors, we can deliver exactly what our customers need. In application centers in Europe, Asia and North America, system solutions are tested and optimized in accordance with customer specifications. All this makes us a reliable supplier and development partner.

Comprehensive services complete our offering: SICK LifeTime Services provide support throughout the machine life cycle and ensure safety and productivity.

For us, that is “Sensor Intelligence.”

WORLDWIDE PRESENCE:

Contacts and other locations –www.sick.com