

DOS-1205-WQ

**SICK**  
Sensor Intelligence.



## Ordering information

Type	Part no.
DOS-1205-WQ	6041429

Please consider the operational voltage of the connector. For sensors with an integrated cable and flying leads the operational voltage of the connector can be lower than the operational voltage of the sensor.

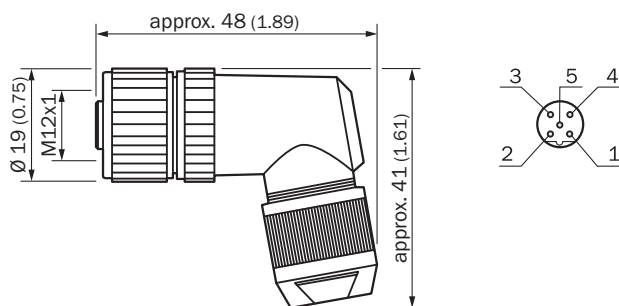
Other models and accessories → [www.sick.com/](http://www.sick.com/)

## Detailed technical data

### Technical specifications

<b>Accessory group</b>	Plug connectors and cables
<b>Accessory family</b>	Field-attachable connectors
<b>Connection type head A</b>	Female connector, M12, 5-pin, angled, B-coded (B-reverse)
<b>Connection type</b>	Spring-cage connection
<b>Locking plug connector</b>	Quick screw connection
<b>Connector color</b>	Black
<b>Locking nut material</b>	Brass, nickel-plated
<b>Shielding</b>	Shielded
<b>Permitted cable diameter</b>	4 mm ... 8 mm
<b>Permitted cross-section</b>	0.14 mm <sup>2</sup> ... 0.5 mm <sup>2</sup>
<b>Reference voltage</b>	≤ 60 V
<b>Current loading</b>	4 A
<b>Signal type</b>	PROFIBUS DP, PROFIBUS DP
<b>Enclosure rating</b>	IP67
<b>Description</b>	Head A: female connector, M12, 5-pin, angled, B-coded, shielded, for cable diameter 4 mm ... 8 mm Head B: -
<b>Ambient operating temperature</b>	Head -40 °C ... +85 °C

## Dimensional drawing (Dimensions in mm (inch))



## SICK AT A GLANCE

SICK is one of the leading manufacturers of intelligent sensors and sensor solutions for industrial applications. A unique range of products and services creates the perfect basis for controlling processes securely and efficiently, protecting individuals from accidents and preventing damage to the environment.

We have extensive experience in a wide range of industries and understand their processes and requirements. With intelligent sensors, we can deliver exactly what our customers need. In application centers in Europe, Asia and North America, system solutions are tested and optimized in accordance with customer specifications. All this makes us a reliable supplier and development partner.

Comprehensive services complete our offering: SICK LifeTime Services provide support throughout the machine life cycle and ensure safety and productivity.

For us, that is “Sensor Intelligence.”

## WORLDWIDE PRESENCE:

Contacts and other locations –[www.sick.com](http://www.sick.com)