



# ER12-SB3C4

ER12

SAFETY COMMAND DEVICES

**SICK**  
Sensor Intelligence.



### Ordering information

Type	Part no.
ER12-SB3C4	6051330

Product consists of UL certified components (ER12-H14 (a) und ER12-A3). See UL certificate number: E363214 and E198242

Other models and accessories → [www.sick.com/ER12](http://www.sick.com/ER12)



### Detailed technical data

#### Features

<b>Number of N/O contacts</b>	1
<b>Reset pushbutton (illuminable)</b>	✓
<b>Actuation directions</b>	1
<b>Dimensions (W x H x D)</b>	40 mm x 123 mm x 36 mm
<b>Items supplied</b>	Including retaining clip and "RESET" cover

#### Safety-related parameters

<b>B<sub>10d</sub> parameter</b>	1 x 10 <sup>6</sup> switching cycles
----------------------------------	--------------------------------------

#### Functions

<b>Safe series connection</b>	None, only individual wiring (with diagnostics)
-------------------------------	---

#### Interfaces

<b>Connection type</b>	Plug connector, M12, 4-pin
Coupling nut material	PBT

#### Electrical data

##### Operating data

<b>Protection class</b>	III (EN 61140)
<b>Switching principle</b>	Slow action switching element
<b>Number of N/O contacts</b>	1
<b>Usage category</b>	DC-13 (EN 60947-5-1)
<b>Rated operating current (voltage)</b>	2 A (24 V DC)
<b>Contact material</b>	AgNi, 5 µm gold plated
<b>Electrical life</b>	
Reset pushbutton	1 x 10 <sup>6</sup> switching cycles

#### Illumination

<b>Supply voltage V<sub>s</sub></b>	30 V AC/DC
<b>Power consumption</b>	14 mA (24 V DC)

Mechanical data

<b>Dimensions</b>	40 mm x 123 mm x 36 mm
<b>Weight</b>	106 g
<b>Housing material</b>	PBT
<b>Mechanical life</b>	
Reset pushbutton	1 x 10 <sup>6</sup> switching cycles

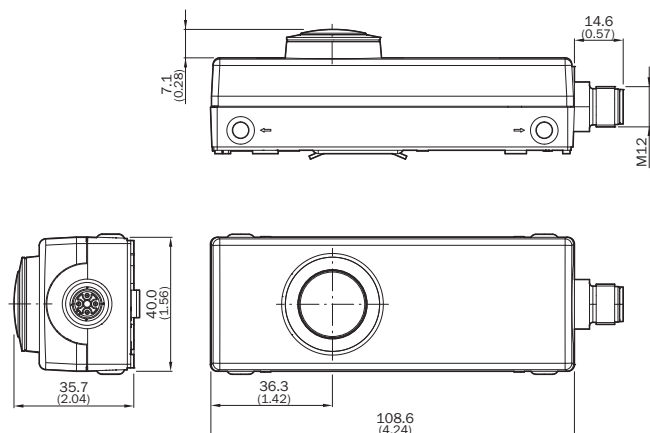
Ambient data

<b>Enclosure rating</b>	IP65 (EN 60529)
<b>Ambient operating temperature</b>	-25 °C ... +70 °C
<b>Storage temperature</b>	-25 °C ... +80 °C

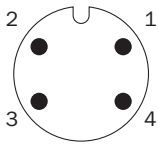
Classifications

<b>eCl@ss 5.0</b>	27379090
<b>eCl@ss 5.1.4</b>	27371246
<b>eCl@ss 6.0</b>	27371246
<b>eCl@ss 6.2</b>	27371246
<b>eCl@ss 7.0</b>	27371246
<b>eCl@ss 8.0</b>	27371246
<b>eCl@ss 8.1</b>	27371246
<b>eCl@ss 9.0</b>	27371246
<b>eCl@ss 10.0</b>	27371246
<b>eCl@ss 11.0</b>	27371246
<b>eCl@ss 12.0</b>	27371246
<b>ETIM 5.0</b>	EC000029
<b>ETIM 6.0</b>	EC000029
<b>ETIM 7.0</b>	EC000029
<b>ETIM 8.0</b>	EC000029
<b>UNSPSC 16.0901</b>	39122216

Dimensional drawing (Dimensions in mm (inch))

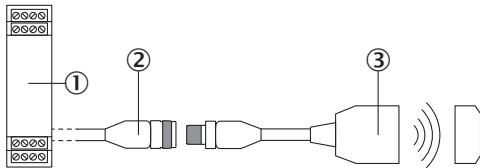


### Pin assignment



1	N/O contact
2	
3	LED +
4	LED -

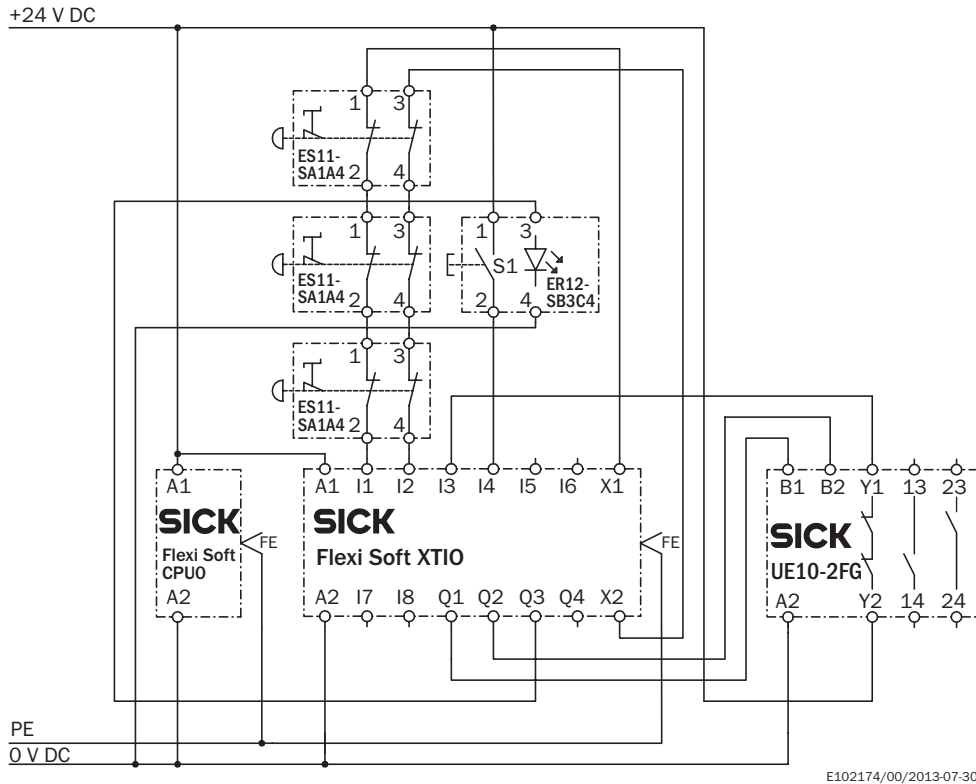
### Connection single sensor



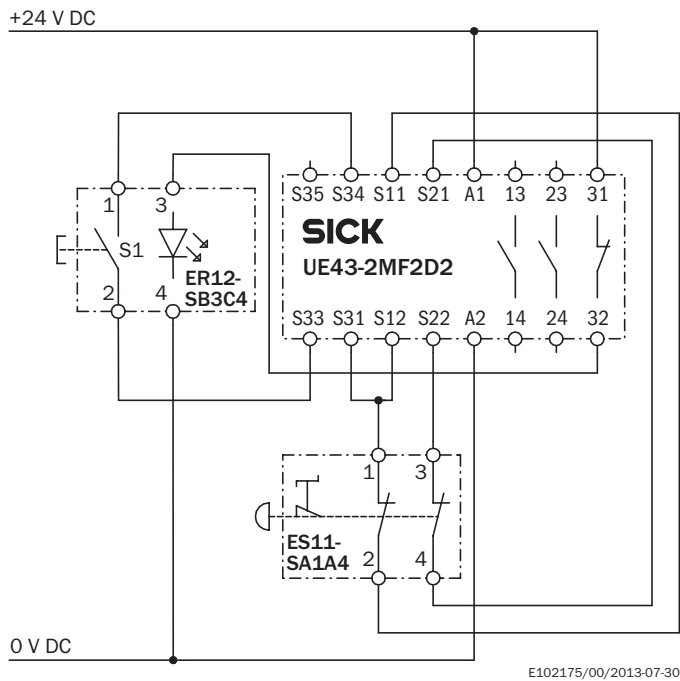
- ① Safe evaluation unit
- ② Connecting cable with M12 female connector, 4-pin and flying leads (e.g. YF2A14-xxxVB3XLEAX)
- ③ ER12-SB3C4 reset pushbutton

### Connection diagram

ER12 reset pushbutton and series connection of three ES11 emergency stop pushbutton to a Flexi Soft safety controller




ER12 reset pushbutton and ES11 emergency stop pushbutton to UE43 safety relay



Recommended accessories

Other models and accessories → [www.sick.com/ER12](http://www.sick.com/ER12)

	Brief description	Type	Part no.
Plug connectors and cables			
	Head A: female connector, M12, 4-pin, straight, A-coded Head B: Flying leads Cable: Sensor/actuator cable, PVC, unshielded, 5 m	YF2A14-050VB3XLEAX	2096235
	Head A: female connector, M12, 4-pin, straight, A-coded Head B: Flying leads Cable: Sensor/actuator cable, PVC, unshielded, 10 m	YF2A14-100VB3XLEAX	2096236
	Head A: female connector, M12, 4-pin, straight, A-coded Head B: Flying leads Cable: Sensor/actuator cable, PVC, unshielded, 15 m	YF2A14-150VB3XLEAX	2096237
	Head A: female connector, M12, 4-pin, straight, A-coded Head B: Flying leads Cable: Sensor/actuator cable, PVC, unshielded, 20 m	YF2A14-200VB3XLEAX	2096238

## SICK AT A GLANCE

SICK is one of the leading manufacturers of intelligent sensors and sensor solutions for industrial applications. A unique range of products and services creates the perfect basis for controlling processes securely and efficiently, protecting individuals from accidents and preventing damage to the environment.

We have extensive experience in a wide range of industries and understand their processes and requirements. With intelligent sensors, we can deliver exactly what our customers need. In application centers in Europe, Asia and North America, system solutions are tested and optimized in accordance with customer specifications. All this makes us a reliable supplier and development partner.

Comprehensive services complete our offering: SICK LifeTime Services provide support throughout the machine life cycle and ensure safety and productivity.

For us, that is “Sensor Intelligence.”

## WORLDWIDE PRESENCE:

Contacts and other locations –[www.sick.com](http://www.sick.com)