



IN40-A2121N

SICK
Sensor Intelligence.



Ordering information

Type	Part no.
IN40-A2121N	5315025

Other models and accessories → www.sick.com/

Detailed technical data

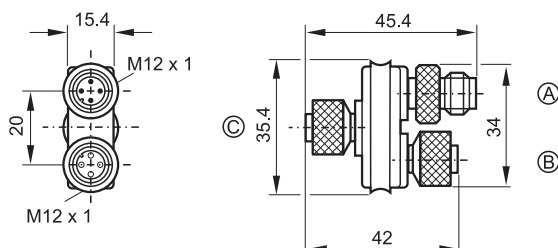
Technical specifications

Accessory group	Distributors
Accessory family	Y-junctions
Note	Y-junction for serial connection of IN4000 Standard

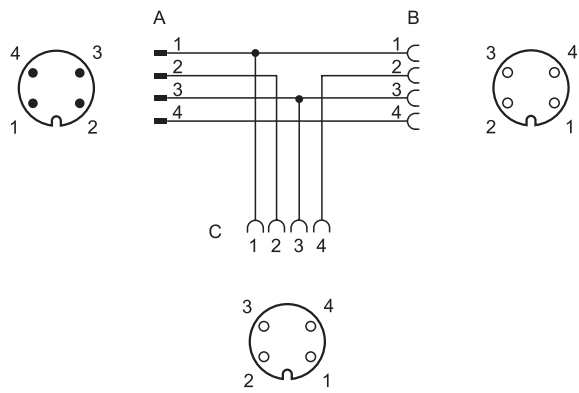
Classifications

eCl@ss 5.0	27279201
eCl@ss 5.1.4	27279201
eCl@ss 6.0	27279201
eCl@ss 6.2	27279201
eCl@ss 7.0	27279201
eCl@ss 8.0	27279201
eCl@ss 8.1	27279201
eCl@ss 9.0	27440108
eCl@ss 10.0	27440108
eCl@ss 11.0	27440108
eCl@ss 12.0	27440108
ETIM 5.0	EC002585
ETIM 6.0	EC002585
ETIM 7.0	EC002585
ETIM 8.0	EC002585
UNSPSC 16.0901	31163032

Dimensional drawing (Dimensions in mm (inch))



Anschlussschema



SICK AT A GLANCE

SICK is one of the leading manufacturers of intelligent sensors and sensor solutions for industrial applications. A unique range of products and services creates the perfect basis for controlling processes securely and efficiently, protecting individuals from accidents and preventing damage to the environment.

We have extensive experience in a wide range of industries and understand their processes and requirements. With intelligent sensors, we can deliver exactly what our customers need. In application centers in Europe, Asia and North America, system solutions are tested and optimized in accordance with customer specifications. All this makes us a reliable supplier and development partner.

Comprehensive services complete our offering: SICK LifeTime Services provide support throughout the machine life cycle and ensure safety and productivity.

For us, that is “Sensor Intelligence.”

WORLDWIDE PRESENCE:

Contacts and other locations –www.sick.com