

IQ40-40NNSKC0K

IQG

INDUCTIVE PROXIMITY SENSORS

SICK
Sensor Intelligence.



Ordering information

| Type | Part no. |
|----------------|----------|
| IQ40-40NNSKC0K | 1071854 |

Included in delivery: BEF-KH-IQ40 (1)

Other models and accessories → www.sick.com/IQG



Detailed technical data

Features

| | |
|--|----------------------------------|
| Housing | Rectangular |
| Housing | Short-body |
| Dimensions (W x H x D) | 40 mm x 40 mm x 66 mm |
| Sensing range S_n | 40 mm |
| Safe sensing range S_a | 32.4 mm |
| Installation type | Non-flush |
| Switching frequency | 100 Hz |
| Connection type | Male connector M12, 4-pin |
| Switching output | NPN |
| Output function | NO |
| Electrical wiring | DC 3-wire |
| Enclosure rating | IP67, IP68, IP69K |
| Special applications | Difficult application conditions |
| Items supplied | Push-lock mounting system (1x) |

Mechanics/electronics

| | |
|--|-------------------------|
| Supply voltage | 10 V DC ... 30 V DC |
| Ripple | $\leq 10 V_{pp}^{1)}$ |
| Voltage drop | $\leq 2 V$ |
| Time delay before availability | $\leq 50 ms$ |
| Hysteresis | $3 \% \dots 15 \%^{2)}$ |
| Reproducibility | $\leq 6 \%$ |
| Temperature drift (of S_n) | $\pm 10 \%$ |
| Continuous current I_a | $\leq 200 mA$ |
| Short-circuit protection | ✓ |

¹⁾ Of U_b .

²⁾ Of S_r .

³⁾ Reference voltage: 50 V DC.

| | |
|---------------------------------------|----------------------------------|
| Reverse polarity protection | ✓ |
| Power-up pulse protection | ✓ |
| Shock and vibration resistance | 30 g, 11 ms / 10 ... 55 Hz, 1 mm |
| Ambient operating temperature | -25 °C ... +85 °C |
| Ambient temperature, storage | -40 °C ... +85 °C |
| Housing material | Plastic, PA 66 |
| Sensing face material | Plastic, PA 66 |
| Tightening torque, max. | 1.8 Nm |
| Protection class | II ³⁾ |
| UL File No. | E348498 |

1) Of Ub.

2) Of S_r.

3) Reference voltage: 50 V DC.

Safety-related parameters

| | |
|-------------------------------------|-------------|
| MTTF_D | 1,125 years |
| DC_{avg} | 0 % |
| T_M (mission time) | 20 years |

Reduction factors

| | |
|-----------------------------------|--|
| Note | The values are reference values which may vary |
| Stainless steel (V2A, 304) | Approx. 0.8 |
| Aluminum (Al) | Approx. 0.34 |
| Copper (Cu) | Approx. 0.27 |
| Brass (Br) | Approx. 0.38 |

Installation note

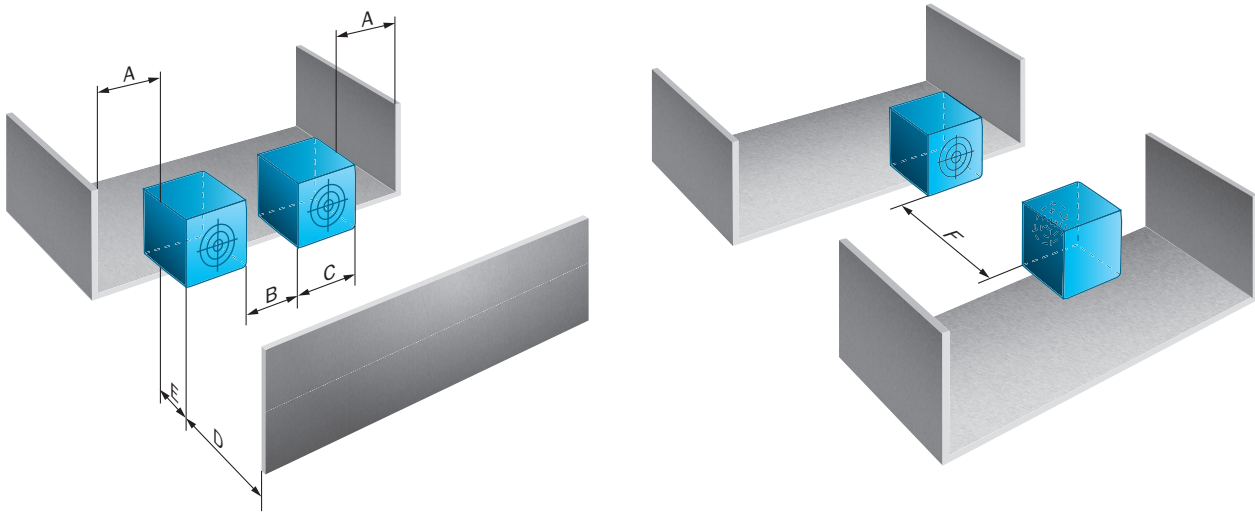
| | |
|---------------|---------------------------------------|
| Remark | Associated graphic see "Installation" |
| A | 42 mm |
| B | 150 mm |
| C | 40 mm |
| D | 120 mm |
| E | 40 mm |
| F | 150 mm |

Classifications

| | |
|---------------------|----------|
| eCl@ss 5.0 | 27270101 |
| eCl@ss 5.1.4 | 27270101 |
| eCl@ss 6.0 | 27270101 |
| eCl@ss 6.2 | 27270101 |
| eCl@ss 7.0 | 27270101 |
| eCl@ss 8.0 | 27270101 |
| eCl@ss 8.1 | 27270101 |
| eCl@ss 9.0 | 27270101 |

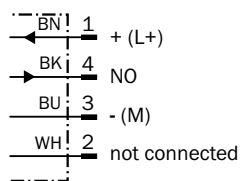
| | |
|-----------------------|----------|
| eCl@ss 10.0 | 27270101 |
| eCl@ss 11.0 | 27270101 |
| eCl@ss 12.0 | 27274001 |
| ETIM 5.0 | EC002714 |
| ETIM 6.0 | EC002714 |
| ETIM 7.0 | EC002714 |
| ETIM 8.0 | EC002714 |
| UNSPSC 16.0901 | 39122230 |

Installation note



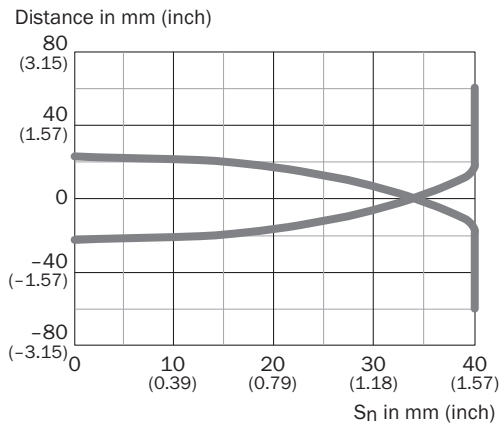
Connection diagram

Cd-011



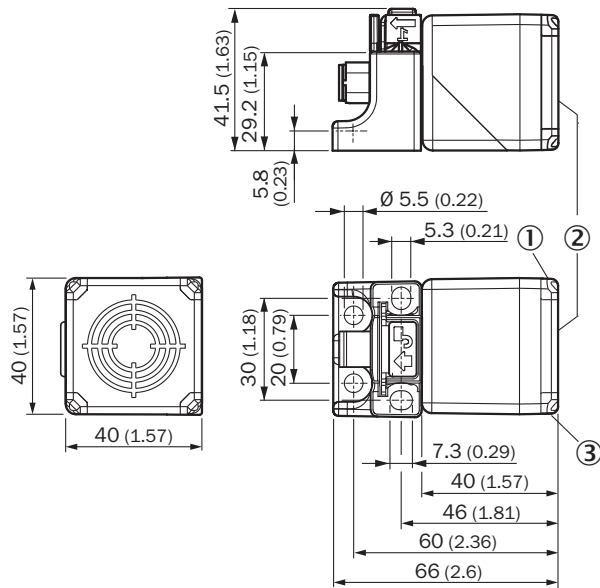
Characteristic curve

IQ40-40Nxxxxx



Dimensional drawing (Dimensions in mm (inch))




IQG Short-body housing



- ① LED output state, yellow
- ② Sensing face
- ③ Operational status LED, green

Recommended accessories

Other models and accessories → www.sick.com/IQG

| | Brief description | Type | Part no. |
|---|---|--------------------|----------|
| Plug connectors and cables | | | |
|  | Head A: female connector, M12, 4-pin, straight, A-coded Head B: Flying leads Cable: Sensor/actuator cable, PVC, unshielded, 5 m | YF2A14-050VB3XLEAX | 2096235 |
|  | Head A: female connector, M12, 4-pin, angled, A-coded Head B: Flying leads Cable: Sensor/actuator cable, PVC, unshielded, 5 m | YG2A14-050VB3XLEAX | 2095897 |
|  | Head A: female connector, M12, 4-pin, straight Cable: unshielded | DOS-1204-G | 6007302 |
|  | Head A: male connector, M12, 4-pin, straight Cable: unshielded | STE-1204-G | 6009932 |

SICK AT A GLANCE

SICK is one of the leading manufacturers of intelligent sensors and sensor solutions for industrial applications. A unique range of products and services creates the perfect basis for controlling processes securely and efficiently, protecting individuals from accidents and preventing damage to the environment.

We have extensive experience in a wide range of industries and understand their processes and requirements. With intelligent sensors, we can deliver exactly what our customers need. In application centers in Europe, Asia and North America, system solutions are tested and optimized in accordance with customer specifications. All this makes us a reliable supplier and development partner.

Comprehensive services complete our offering: SICK LifeTime Services provide support throughout the machine life cycle and ensure safety and productivity.

For us, that is “Sensor Intelligence.”

WORLDWIDE PRESENCE:

Contacts and other locations –www.sick.com