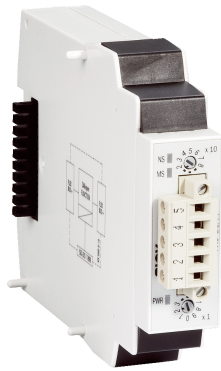


FX0-GCAN00000

Safe EFI-pro System

SAFETY SYSTEMS

SICK
Sensor Intelligence.

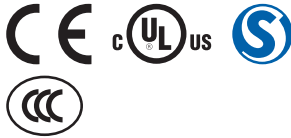


Ordering information

Gateways

Fieldbus, industrial network	Type	Part no.
CANopen	FX0-GCAN00000	1044076

Other models and accessories → www.sick.com/Safe_EFI-pro_System



Detailed technical data

Features

Module	Gateway
Fieldbus, industrial network	CANopen
Configuration method	Via software (Flexi Soft Designer) Safe EFI-pro System: Safety Designer

Interfaces

Fieldbus, industrial network	CANopen
Data transmission rate	≤ 1,000 kbit/s ¹⁾
Connection type	1 x female connector, Open Style, 5-pin

¹⁾ Depending on cable length.

Electrical data

Protection class	III (EN 61140)
Voltage supply	Via FLEXBUS+
Internal power consumption	≤ 1.6 W ¹⁾

¹⁾ Via FLEXBUS+.

Mechanical data

Dimensions (W x H x D)	22.5 mm x 96.5 mm x 131 mm
Weight	150 g (± 10 %)

Ambient data

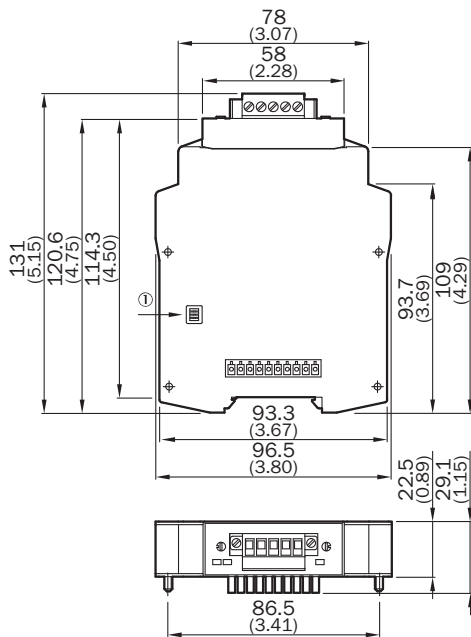
Enclosure rating	IP20 (EN 60529)
Ambient operating temperature	-25 °C ... +55 °C
Storage temperature	-25 °C ... +70 °C
Air humidity	10 % ... 95 %, Non-condensing

Classifications

ECI@ss 5.0	27243001
ECI@ss 5.1.4	27243101
ECI@ss 6.0	27243101
ECI@ss 6.2	27243101
ECI@ss 7.0	27243101
ECI@ss 8.0	27243101
ECI@ss 8.1	27243101
ECI@ss 9.0	27243101
ECI@ss 10.0	27243101
ECI@ss 11.0	27243101
ETIM 5.0	EC001449
ETIM 6.0	EC001449
ETIM 7.0	EC001449
UNSPSC 16.0901	32151705

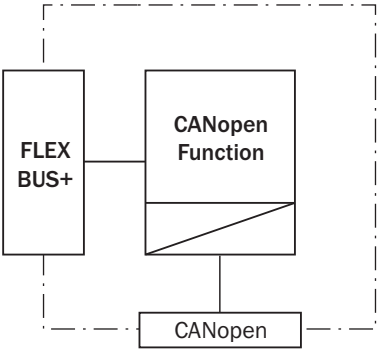
Dimensional drawing (Dimensions in mm (inch))

FX0-GCAN, FX0-GDEV



① On the rear

Connection diagram



SICK AT A GLANCE

SICK is one of the leading manufacturers of intelligent sensors and sensor solutions for industrial applications. A unique range of products and services creates the perfect basis for controlling processes securely and efficiently, protecting individuals from accidents and preventing damage to the environment.

We have extensive experience in a wide range of industries and understand their processes and requirements. With intelligent sensors, we can deliver exactly what our customers need. In application centers in Europe, Asia and North America, system solutions are tested and optimized in accordance with customer specifications. All this makes us a reliable supplier and development partner.

Comprehensive services complete our offering: SICK LifeTime Services provide support throughout the machine life cycle and ensure safety and productivity.

For us, that is “Sensor Intelligence.”

WORLDWIDE PRESENCE:

Contacts and other locations –www.sick.com