



# IH34-30NUS-KU0

IH Standard

**INDUCTIVE PROXIMITY SENSORS**

**SICK**  
Sensor Intelligence.



Illustration may differ



### Ordering information

Type	Part no.
IH34-30NUS-KU0	7902134

Other models and accessories → [www.sick.com/IH\\_Standard](http://www.sick.com/IH_Standard)

### Detailed technical data

#### Features

<b>Housing</b>	Cylindrical smooth housing
<b>Housing</b>	Standard
<b>Diameter</b>	Ø 34 mm
<b>Sensing range S<sub>n</sub></b>	30 mm
<b>Safe sensing range S<sub>a</sub></b>	24.3 mm
<b>Installation type</b>	Non-flush
<b>Switching frequency</b>	25 Hz <sup>1)</sup> 50 Hz <sup>2)</sup>
<b>Connection type</b>	Cable, 2-wire, 2 m
<b>Output function</b>	NO
<b>Electrical wiring</b>	AC/DC 2-wire
<b>Enclosure rating</b>	IP67 <sup>3)</sup>

<sup>1)</sup> Supply voltage AC.

<sup>2)</sup> Supply voltage DC.

<sup>3)</sup> According to EN 60529.

#### Mechanics/electronics

<b>Supply voltage</b>	20 V AC/DC ... 250 V AC/DC
<b>Voltage drop</b>	≤ 6.5 V (AC)

<sup>1)</sup> U<sub>b</sub> and T<sub>a</sub> constant.

<sup>2)</sup> Of S<sub>r</sub>.

<sup>3)</sup> Repeatability (T<sub>a</sub> not constant).

<sup>4)</sup> Supply voltage AC (+50 °C).

<sup>5)</sup> Supply voltage AC (+80 °C).

<sup>6)</sup> Supply voltage DC.

<sup>7)</sup> 20 ms / 0.5 Hz.

<sup>8)</sup> Miniature fuse to IEC 60217-2 Sheet 1, ≤ 2 A (quick-blow).

<sup>9)</sup> Control of small electromagnetic loads with holding currents < 200 mA.

<sup>10)</sup> Control of solenoids.

	≤ 6 V (DC)
<b>Hysteresis</b>	1 % ... 15 %
<b>Reproducibility</b>	≤ 10 % <sup>1) 2) 3)</sup>
<b>Temperature drift (of S<sub>r</sub>)</b>	± 10 %
<b>EMC</b>	According to EN 60947-5-2 As per EN 55011, class B
<b>Continuous current I<sub>a</sub></b>	≤ 350 mA <sup>4)</sup> ≤ 250 mA <sup>5)</sup> ≤ 100 mA <sup>6)</sup>
<b>Load current</b>	± 5 mA
<b>Off-state current</b>	≤ 2.5 mA (AC 250 V) ≤ 1.3 mA (AC 110 V) ≤ 0.8 mA (DC 24 V)
<b>Short-time withstand current</b>	2.2 A <sup>7)</sup>
<b>Cable material</b>	PVC
<b>Conductor size</b>	0.5 mm <sup>2</sup>
<b>Cable diameter</b>	Ø 5.6 mm
<b>Short-circuit protection</b>	_ <sup>8)</sup>
<b>Shock and vibration resistance</b>	30 g, 11 ms / 10 ... 55 Hz, 1 mm
<b>Ambient operating temperature</b>	-25 °C ... +80 °C
<b>Housing material</b>	Plastic, PBT
<b>Sensing face material</b>	Plastic
<b>Housing length</b>	82 mm
<b>Protection class</b>	II
<b>Rated insulation voltage U<sub>i</sub></b>	250 V AC
<b>Usage category</b>	AC-140 <sup>9)</sup> DC-13 <sup>10)</sup>
<b>Contamination rating</b>	3
<b>Rated impulse withstand voltage</b>	4 kV

1) U<sub>b</sub> and T<sub>a</sub> constant.

2) Of S<sub>r</sub>.

3) Repeatability (T<sub>a</sub> not constant).

4) Supply voltage AC (+50 °C).

5) Supply voltage AC (+80 °C).

6) Supply voltage DC.

7) 20 ms / 0.5 Hz.

8) Miniature fuse to IEC 60217-2 Sheet 1, ≤ 2 A (quick-blow).

9) Control of small electromagnetic loads with holding currents < 200 mA.

10) Control of solenoids.

## Reduction factors

<b>Note</b>	The values are reference values which may vary
<b>Stainless steel (V2A, 304)</b>	Approx. 0.7
<b>Aluminum (Al)</b>	Approx. 0.3
<b>Copper (Cu)</b>	Approx. 0.2
<b>Brass (Br)</b>	Approx. 0.4

### Installation note

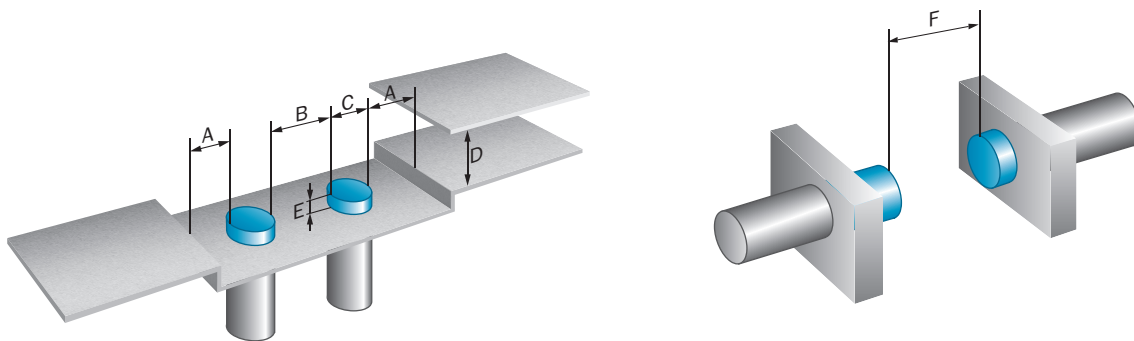
Remark	Associated graphic see "Installation"
<b>A</b>	34 mm
<b>B</b>	85 mm
<b>C</b>	34 mm
<b>D</b>	90 mm
<b>E</b>	60 mm
<b>F</b>	240 mm

### Classifications

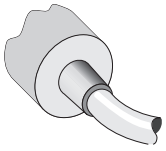
<b>ECl@ss 5.0</b>	27270101
<b>ECl@ss 5.1.4</b>	27270101
<b>ECl@ss 6.0</b>	27270101
<b>ECl@ss 6.2</b>	27270101
<b>ECl@ss 7.0</b>	27270101
<b>ECl@ss 8.0</b>	27270101
<b>ECl@ss 8.1</b>	27270101
<b>ECl@ss 9.0</b>	27270101
<b>ECl@ss 10.0</b>	27270101
<b>ECl@ss 11.0</b>	27270101
<b>ETIM 5.0</b>	EC002714
<b>ETIM 6.0</b>	EC002714
<b>ETIM 7.0</b>	EC002714
<b>ETIM 8.0</b>	EC002714
<b>UNSPSC 16.0901</b>	39122230

### Installation note

Non-flush installation

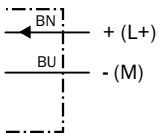


### Connection type



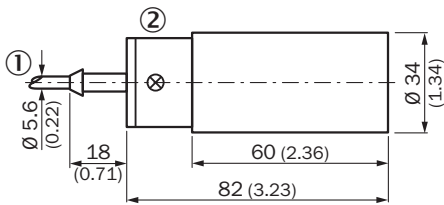
### Connection diagram

Cd-012



### Dimensional drawing (Dimensions in mm (inch))

IH34-30Nxx-xUO



- ① Connection
- ② Display LED

## SICK AT A GLANCE

SICK is one of the leading manufacturers of intelligent sensors and sensor solutions for industrial applications. A unique range of products and services creates the perfect basis for controlling processes securely and efficiently, protecting individuals from accidents and preventing damage to the environment.

We have extensive experience in a wide range of industries and understand their processes and requirements. With intelligent sensors, we can deliver exactly what our customers need. In application centers in Europe, Asia and North America, system solutions are tested and optimized in accordance with customer specifications. All this makes us a reliable supplier and development partner.

Comprehensive services complete our offering: SICK LifeTime Services provide support throughout the machine life cycle and ensure safety and productivity.

For us, that is “Sensor Intelligence.”

## WORLDWIDE PRESENCE:

Contacts and other locations –[www.sick.com](http://www.sick.com)