



SYL-1205-G0M3

SICK
Sensor Intelligence.



Ordering information

Type	Part no.
SYL-1205-GOM3	6043534

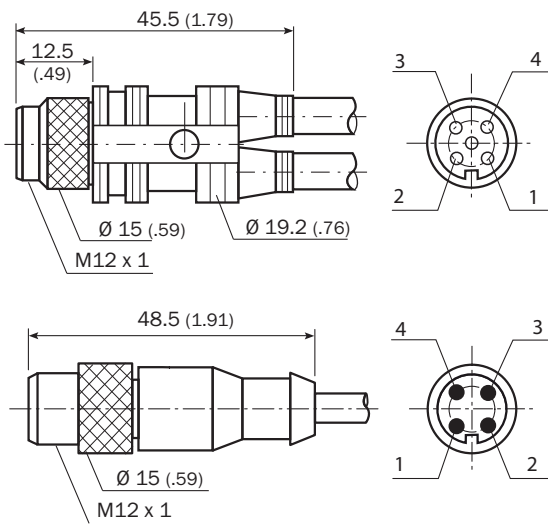
Other models and accessories → www.sick.com/

Detailed technical data

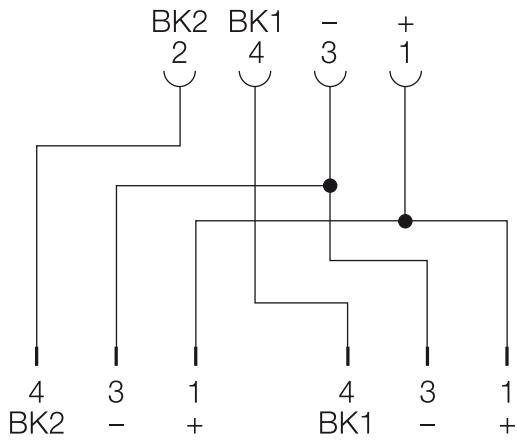
Technical specifications

Accessory family	Y-junctions
Connection type head A	Female connector, M12, 4-pin, A-coded
Connection type head B	Male connector, M12, 4-pin, A-coded
Connection type head C	Male connector, M12, 4-pin, A-coded
Signal type	Sensor/actuator cable
Connecting cable	0.3 m, PVC
Cable material	PVC
Conductor cross section	0.34 mm ²
Connector material head A	TPU
Connector material head B	TPU
Connector material head C	TPU
Locking nut material	Nickel-plated brass
Material knurled screw head A	Nickel-plated brass
Material knurled screw head B	Nickel-plated brass
Material knurled screw head C	Nickel-plated brass
Shielding, head	Unshielded
Reference voltage	≤ 250 V DC
Current loading	≤ 4 A
Contamination rating	3
Note	Female connector M12, 4-pin, straight to 2 x male connector M12, 4-pin, straight
Ambient operating temperature	-40 °C ... +80 °C, stationary position and flexible use
Enclosure rating	IP67
Ambient operating temperature	Head -30 °C ... +80 °C

Dimensional drawing (Dimensions in mm (inch))



Anschlussschema



SICK AT A GLANCE

SICK is one of the leading manufacturers of intelligent sensors and sensor solutions for industrial applications. A unique range of products and services creates the perfect basis for controlling processes securely and efficiently, protecting individuals from accidents and preventing damage to the environment.

We have extensive experience in a wide range of industries and understand their processes and requirements. With intelligent sensors, we can deliver exactly what our customers need. In application centers in Europe, Asia and North America, system solutions are tested and optimized in accordance with customer specifications. All this makes us a reliable supplier and development partner.

Comprehensive services complete our offering: SICK LifeTime Services provide support throughout the machine life cycle and ensure safety and productivity.

For us, that is “Sensor Intelligence.”

WORLDWIDE PRESENCE:

Contacts and other locations –www.sick.com