

DME3000 Dx100 SSI/RS-422 upgrade kit

SICK
Sensor Intelligence.



Ordering information

Type	Part no.
DME3000 Dx100 SSI/RS-422 upgrade kit	2065223

Other models and accessories → www.sick.com/

Product description

Upgrade kits often provide a cost-effective alternative to purchasing a brand new system. Adopting the latest technology as part of a SICK retrofit can extend a system's productive time considerably.

Whether your systems are due for modernization, your DME distance sensors have provided many years of service but you want to replace them as a precaution, or a sensor has failed unexpectedly: The SICK DME-Dx100 upgrade kit has been designed so you can convert from DME sensors to the latest Dx100 distance sensors with a minimum of effort.

The Dx100 distance sensor is not included in the upgrade kit and must be selected and ordered separately.

We will also be happy to assist you with conversion at your site. Contact us.

At a glance

- Upgrade kit specifically tailored to the application
- All accessories required at the site are included
- The enclosed upgrade instructions describe the detailed steps involved
- Dx100 mechanically mounted on DME hole pattern using adapter plate
- Electrical connections are established with preassembled adapter cables

Your benefits

- Maximum system availability combined with minimum downtime during conversion
- Boost the productivity of your system by using the latest technology
- Avoid costly and unscheduled outage times by taking the precautionary step of converting your system to Dx100
- Convert your existing system cost-effectively in just a few steps
- Easy to mount on the hole pattern provided thanks to the precisely manufactured adapter plates
- Problem-free connection to existing cabling thanks to preassembled adapter cables

Detailed technical data

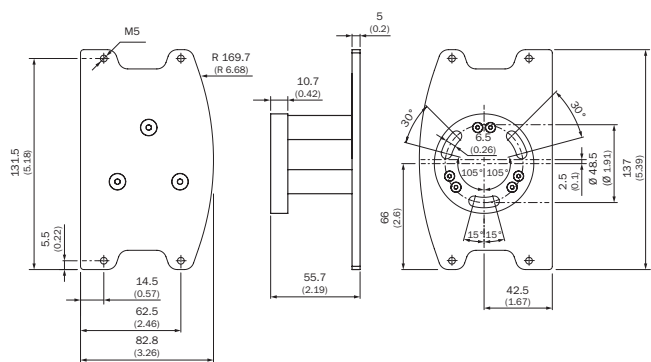
Technical specifications

Accessory group	Sets and kits
Description	Accessory kit for upgrade from DME3000 SSI/RS-422 to Dx100 SSI/RS-422

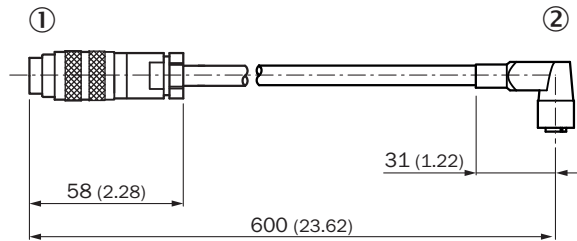
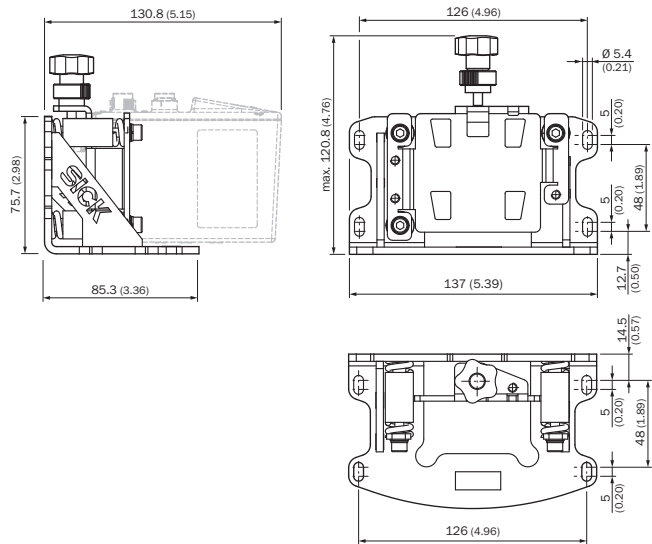
Classifications

ECI@ss 5.0	27279290
ECI@ss 5.1.4	27279290
ECI@ss 6.0	27279290
ECI@ss 6.2	27279290
ECI@ss 7.0	27279290
ECI@ss 8.0	27279290
ECI@ss 8.1	27279290
ECI@ss 9.0	27279090
ECI@ss 10.0	27279090
ECI@ss 11.0	27279090
ECI@ss 12.0	27279090
ETIM 5.0	EC001195
ETIM 6.0	EC001195
ETIM 7.0	EC001195
ETIM 8.0	EC001195

Dimensional drawing (Dimensions in mm (inch))

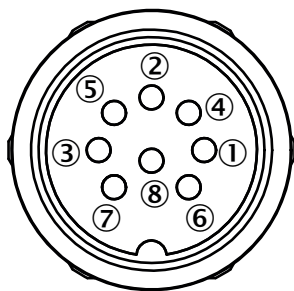


DME3000 Dx100 SSI/RS-422 upgrade kit

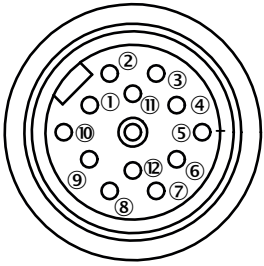


- ① Connector M16, 8-pin
- ② Male connector M12, 8-pin

PIN assignment



- ① TX+
- ② Multifunctional input MF1
- ③ L+
- ④ TX-
- ⑤ Multifunctional input MF2
- ⑥ RX+
- ⑦ M
- ⑧ RX-



- ① TX+
- ② Multifunctional input MF1
- ③ RX+
- ④ L+
- ⑤ RX-
- ⑥ TX-
- ⑦ Multifunctional input MF2
- ⑧ M
- ⑨
- ⑩
- ⑪
- ⑫

SICK AT A GLANCE

SICK is one of the leading manufacturers of intelligent sensors and sensor solutions for industrial applications. A unique range of products and services creates the perfect basis for controlling processes securely and efficiently, protecting individuals from accidents and preventing damage to the environment.

We have extensive experience in a wide range of industries and understand their processes and requirements. With intelligent sensors, we can deliver exactly what our customers need. In application centers in Europe, Asia and North America, system solutions are tested and optimized in accordance with customer specifications. All this makes us a reliable supplier and development partner.

Comprehensive services complete our offering: SICK LifeTime Services provide support throughout the machine life cycle and ensure safety and productivity.

For us, that is “Sensor Intelligence.”

WORLDWIDE PRESENCE:

Contacts and other locations –www.sick.com