



CQF16-06EPOEW1

CQF

CAPACITIVE PROXIMITY SENSORS

SICK
Sensor Intelligence.



Illustration may differ



Ordering information

| Type | Part no. |
|----------------|----------|
| CQF16-06EPOEW1 | 6068623 |

Included in delivery: BEF-WMCQF16 (1)

Other models and accessories → www.sick.com/CQF

Detailed technical data

Features

| | |
|---------------------------------------|---|
| Housing | Rectangular |
| Dimensions (W x H x D) | 16 mm x 34 mm x 8 mm |
| Sensing range S_n | 0.5 mm ... 6 mm |
| Installation type | Flush Non-flush |
| Switching frequency | 10 Hz |
| Connection type | Cable, 4-wire, 2 m ¹⁾ |
| Switching output | PNP |
| Output function | NC |
| Electrical wiring | DC 4-wire |
| Adjustment | Teach-in by wire (full or empty) |
| Enclosure rating | IP67, IP68, IP69K |
| Special features | Detection of water-based liquids up to a conductivity of 50 mS/cm |
| Items supplied | Mounting bracket (1x) |

¹⁾ Do not bend below 0 °C.

Mechanics/electronics

| | |
|-----------------------|--------------------------|
| Supply voltage | 10 V ... 30 V |
| Ripple | ≤ 10 % |
| Voltage drop | ≤ 1.5 V DC ¹⁾ |

¹⁾ At I_a max.

²⁾ Without load.

| | |
|---|---|
| Current consumption | 13 mA ²⁾ |
| Time delay before availability | ≤ 300 ms |
| Temperature drift (of S_r) | ± 20 % |
| EMC | EN 60947-5-2 |
| Continuous current I_a | ≤ 100 mA |
| Cable material | PVC |
| Conductor size | 0.14 mm ² |
| Short-circuit protection | ✓ |
| Reverse polarity protection | ✓ |
| Power-up pulse protection | ✓ |
| Shock and vibration resistance | 30 g, 11 ms / 6 pos., 6 neg. per axis, 10 ... 150 Hz, 1.0 mm / 15 g |
| Ambient operating temperature | -25 °C ... +80 °C |
| Ambient temperature, storage | -40 °C ... +85 °C |
| Housing material | Plastic, PBT |
| Tightening torque, max. | 0.2 Nm |
| Protection class | III |
| UL File No. | NRKH.E191603 |

¹⁾ At I_a max.

²⁾ Without load.

Safety-related parameters

| | |
|-------------------------------------|-------------|
| MTTF_D | 1,972 years |
| DC_{avg} | 0 % |
| T_M (mission time) | 20 years |

Installation note

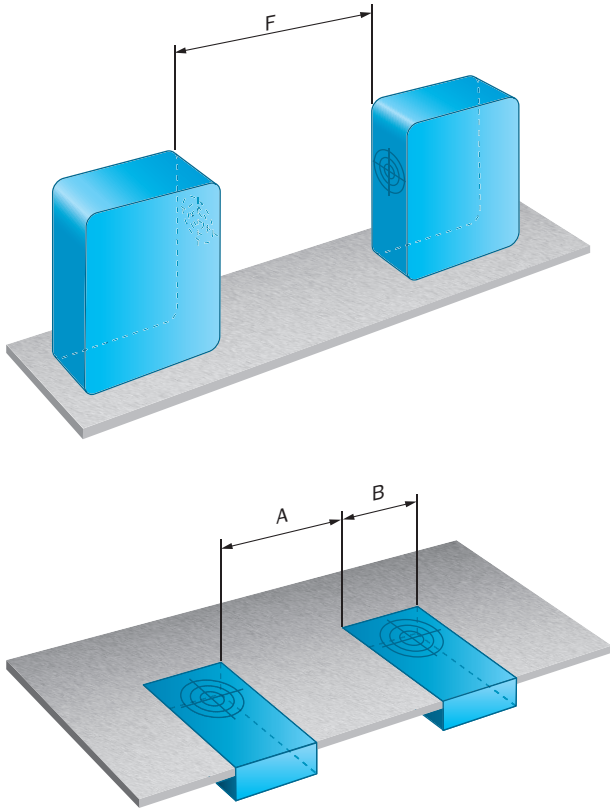
| | |
|---------------|---------------------------------------|
| Remark | Associated graphic see "Installation" |
| A | ≥ 10 mm (at factory setting) |
| B | 16 mm |
| F | ≥ 25 mm (at factory setting) |

Classifications

| | |
|---------------------|----------|
| eCl@ss 5.0 | 27270102 |
| eCl@ss 5.1.4 | 27270102 |
| eCl@ss 6.0 | 27270102 |
| eCl@ss 6.2 | 27270102 |
| eCl@ss 7.0 | 27270102 |
| eCl@ss 8.0 | 27270102 |
| eCl@ss 8.1 | 27270102 |
| eCl@ss 9.0 | 27270102 |
| eCl@ss 10.0 | 27270102 |
| eCl@ss 11.0 | 27270102 |
| eCl@ss 12.0 | 27274201 |

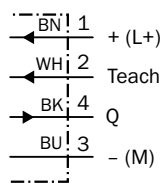
| | |
|-----------------------|----------|
| ETIM 5.0 | EC002715 |
| ETIM 6.0 | EC002715 |
| ETIM 7.0 | EC002715 |
| ETIM 8.0 | EC002715 |
| UNSPSC 16.0901 | 39122230 |

Installation note



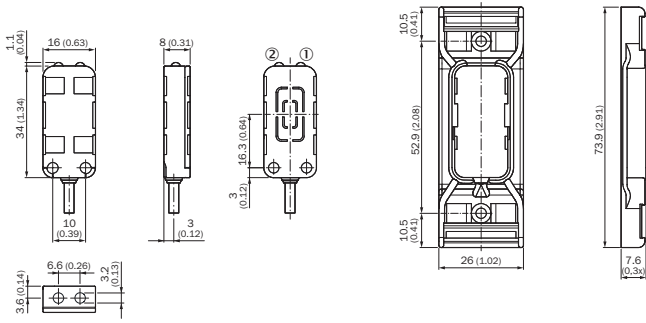
Connection diagram

Cd-023



Dimensional drawing (Dimensions in mm (inch))

Sensor with bracket (included in the scope of delivery)



- ① Yellow LED indicator: Switching output
- ② LED indicator green: Supply voltage active

SICK AT A GLANCE

SICK is one of the leading manufacturers of intelligent sensors and sensor solutions for industrial applications. A unique range of products and services creates the perfect basis for controlling processes securely and efficiently, protecting individuals from accidents and preventing damage to the environment.

We have extensive experience in a wide range of industries and understand their processes and requirements. With intelligent sensors, we can deliver exactly what our customers need. In application centers in Europe, Asia and North America, system solutions are tested and optimized in accordance with customer specifications. All this makes us a reliable supplier and development partner.

Comprehensive services complete our offering: SICK LifeTime Services provide support throughout the machine life cycle and ensure safety and productivity.

For us, that is “Sensor Intelligence.”

WORLDWIDE PRESENCE:

Contacts and other locations –www.sick.com