



# RZC1-04ZUS-KUBS03

RZC1

SENSORS FOR C-SLOT CYLINDERS

**SICK**  
Sensor Intelligence.



### Ordering information

Type	Part no.
RZC1-04ZUS-KUBS03	1073286

Other models and accessories → [www.sick.com/RZC1](http://www.sick.com/RZC1)



### Detailed technical data

#### Features

<b>Cylinder type</b>	C-slot
<b>Cylinder types with adapter</b>	SMC rail CDQ2 SMC rail ECDQ2
<b>Housing length</b>	26.3 mm
<b>Switching output</b>	Reed
<b>Switching frequency</b>	500 Hz
<b>Output function</b>	NO
<b>Electrical wiring</b>	AC/DC 2-wire
<b>Enclosure rating</b>	IP67 <sup>1)</sup>

<sup>1)</sup> According to EN 60529 (IP 67 / IP 68).

#### Mechanics/electronics

<b>Supply voltage</b>	5 V AC/DC ... 30 V AC/DC
<b>Power consumption</b>	5 mA, without load
<b>Voltage drop</b>	< 3.2 V
<b>Continuous current I<sub>a</sub></b>	≤ 50 mA
<b>Switching capacity</b>	≤ 6 W
<b>Protection class</b>	II <sup>1) 2)</sup>
<b>Overrun distance, typ.</b>	7 mm
<b>Reproducibility</b>	≤ 0.1 mT <sup>3)</sup>
<b>Ambient operating temperature</b>	-30 °C ... +80 °C
<b>Shock and vibration resistance</b>	30 g, 11 ms / 10 ... 55 Hz, 1 mm
<b>EMC</b>	According to EN 60947-5-2
<b>Connection type</b>	Cable, 2-wire, 5 m
<b>Connection type Detail</b>	
Conductor cross section	0.09 mm <sup>2</sup>

<sup>1)</sup> The sensor may only be used when mounted as a complete unit in the slot.

<sup>2)</sup> Overvoltage category II.

<sup>3)</sup> U<sub>b</sub> and T<sub>a</sub> constant.

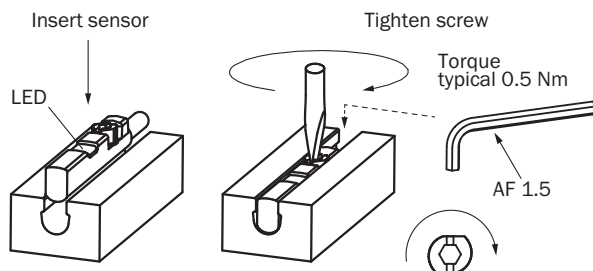
	Cable diameter	Ø 2.2 mm
	Bending radius	With fixed installation > 2 x cable diameter For flexible use > 5 x cable diameter
	Cable outlet	Axial
<b>Material</b>	Housing	Plastic, PA, strengthened
	Cable	PUR

- 1) The sensor may only be used when mounted as a complete unit in the slot.
- 2) Overvoltage category II.
- 3)  $U_b$  and  $T_a$  constant.

### Classifications

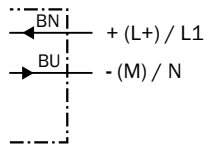
<b>eCl@ss 5.0</b>	27270104
<b>eCl@ss 5.1.4</b>	27270104
<b>eCl@ss 6.0</b>	27270104
<b>eCl@ss 6.2</b>	27270104
<b>eCl@ss 7.0</b>	27270104
<b>eCl@ss 8.0</b>	27270104
<b>eCl@ss 8.1</b>	27270104
<b>eCl@ss 9.0</b>	27270104
<b>eCl@ss 10.0</b>	27270104
<b>eCl@ss 11.0</b>	27270104
<b>eCl@ss 12.0</b>	27274301
<b>ETIM 5.0</b>	EC002544
<b>ETIM 6.0</b>	EC002544
<b>ETIM 7.0</b>	EC002544
<b>ETIM 8.0</b>	EC002544
<b>UNSPSC 16.0901</b>	39122230

### Installation note



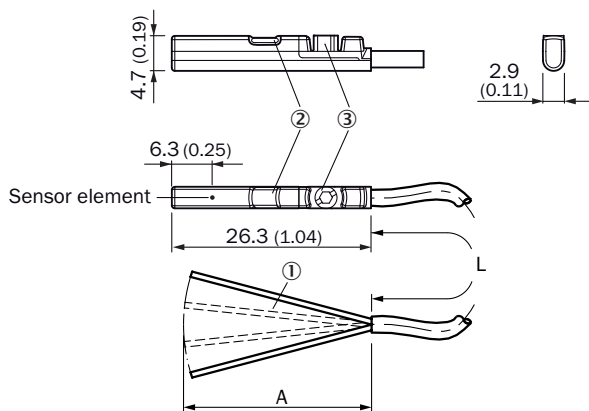
### Connection diagram

Cd-037



### Dimensional drawing (Dimensions in mm (inch))

Cable






- ① Connection
- ② Display LED
- ③ Fixing screw SW 1.5

		<b>L</b>	<b>A</b>	
1059746	RZC1-04ZRS-KU0	2 m	31.5	3
1059750	RZC1-04ZUS-KU0	2 m	31.5	2
1065397	RZC1-04ZUS-KUOS01	2 m	31.5	2
1070035	RZC1-04ZUS-KUAS02	3 m	31.5	2
1059749	RZC1-04ZRS-KUB	5 m	31.5	3
1073286	RZC1-04ZUS-KUBS03	5 m	31.5	2

### Recommended accessories

Other models and accessories → [www.sick.com/RZC1](http://www.sick.com/RZC1)

	<b>Brief description</b>	<b>Type</b>	<b>Part no.</b>
<b>Brackets for cylinder sensors</b>			
	Mounting bracket for integrated profile cylinder/tie-rod cylinder, zinc diecast, mounting hardware included	BEF-KHZ-PC1	2076170

	Brief description	Type	Part no.
	1 piece, Mounting bracket on round body cylinder with piston diameter of 12 mm, ambient temperature min 0 °C max 50 °C, plastic, Aluminum	BEF-KHZ-RC-12	2077673
	1 piece, Mounting bracket on round body cylinder with piston diameter of 16 mm, ambient temperature min 0 °C max 50 °C, plastic, Aluminum	BEF-KHZ-RC-16	2077672
	1 piece, Mounting bracket on round body cylinder with piston diameter of 20 mm, ambient temperature min 0 °C max 50 °C, plastic, Aluminum	BEF-KHZ-RC-20	2077671
	1 piece, Mounting bracket on round body cylinder with piston diameter of 25 mm, ambient temperature min 0 °C max 50 °C, plastic, Aluminum	BEF-KHZ-RC-25	2077670
	1 piece, Mounting bracket on round body cylinder with piston diameter of 32 mm, ambient temperature min 0 °C max 50 °C, plastic, Aluminum	BEF-KHZ-RC-32	2077669
	1 piece, Mounting bracket on round body cylinder with piston diameter of 40 mm, ambient temperature min 0 °C max 50 °C, plastic, Aluminum	BEF-KHZ-RC-40	2077668
	1 piece, Mounting bracket on round body cylinder with piston diameter of 50 mm, ambient temperature min 0 °C max 50 °C, plastic, Aluminum	BEF-KHZ-RC-50	2077667
	1 piece, Mounting bracket on round body cylinder with piston diameter of 63 mm, ambient temperature min 0 °C max 50 °C, plastic, Aluminum	BEF-KHZ-RC-63	2077666
	1 piece, Mounting bracket on round body cylinder with piston diameter of 1 mm ... 130 mm, ambient temperature min -30 °C max 80 °C, stainless steel, Aluminum	BEF-KHZ-RC1-130	2077686
	1 piece, Mounting bracket on round body cylinder with piston diameter of 1 mm ... 25 mm, ambient temperature min -30 °C max 80 °C, stainless steel, Aluminum	BEF-KHZ-RC1-25	2077685

## SICK AT A GLANCE

SICK is one of the leading manufacturers of intelligent sensors and sensor solutions for industrial applications. A unique range of products and services creates the perfect basis for controlling processes securely and efficiently, protecting individuals from accidents and preventing damage to the environment.

We have extensive experience in a wide range of industries and understand their processes and requirements. With intelligent sensors, we can deliver exactly what our customers need. In application centers in Europe, Asia and North America, system solutions are tested and optimized in accordance with customer specifications. All this makes us a reliable supplier and development partner.

Comprehensive services complete our offering: SICK LifeTime Services provide support throughout the machine life cycle and ensure safety and productivity.

For us, that is “Sensor Intelligence.”

## WORLDWIDE PRESENCE:

Contacts and other locations –[www.sick.com](http://www.sick.com)