



# ISD300-1211

ISD300

OPTICAL DATA TRANSMISSION

**SICK**  
Sensor Intelligence.



Illustration may differ



## Ordering information

Type	Part no.
ISD300-1211	6024759

Data transmission requires two devices. The second device must be ordered separately.

Other models and accessories → [www.sick.com/ISD300](http://www.sick.com/ISD300)

## Detailed technical data

### Mechanics/electronics

<b>Supply voltage <math>V_s</math></b>	DC 18 V ... 30 V
<b>Connection type</b>	Terminals
<b>Current consumption</b>	≤ 0.2 A
<b>Frequency</b>	F1 <sup>1)</sup>
<b>Enclosure rating</b>	IP65
<b>Protection class</b>	I

<sup>1)</sup> A pair of devices with numbers ending in 1 and 2 are required to create a data transfer section.

### Performance

<b>Transmission range</b>	0.2 m ... 200 m
<b>Light source</b>	LED, infrared (880 nm)
<b>Typ. light spot size (distance)</b>	1.75 m (at 100 m)
<b>Aperture angle</b>	Ca. ± 0.5°

### Interfaces

<b>PROFIBUS DP</b>	✓
Data transmission rate	1.5 Mbit/s
<b>Serial</b>	✓, RS-485
Remark	On request
Data transmission rate	1.5 Mbit/s
<b>Digital input</b>	0 V ... 2 V: sender deactivated
<b>Digital output</b>	
Number	1 <sup>1)</sup> <sup>2)</sup>
<b>Signal delay</b>	≤ 1.5 μs, + 1 Tbit

<sup>1)</sup> 0 V ... 2 V: interference-free operation.

<sup>2)</sup>  $V_s - 2$  V: reduced system reserve.

## Ambient data

<b>Electromagnetic compatibility (EMC)</b>	EN 61000-6-2 <sup>1)</sup> EN 61000-6-4
<b>Ambient temperature, operation</b>	-5 °C ... +50 °C
<b>Ambient temperature, storage</b>	-30 °C ... +70 °C
<b>Max. rel. humidity (not condensing)</b>	90 %, Non-condensing

<sup>1)</sup> This is a Class A device. This device can cause radio interference in living quarters.

## General notes

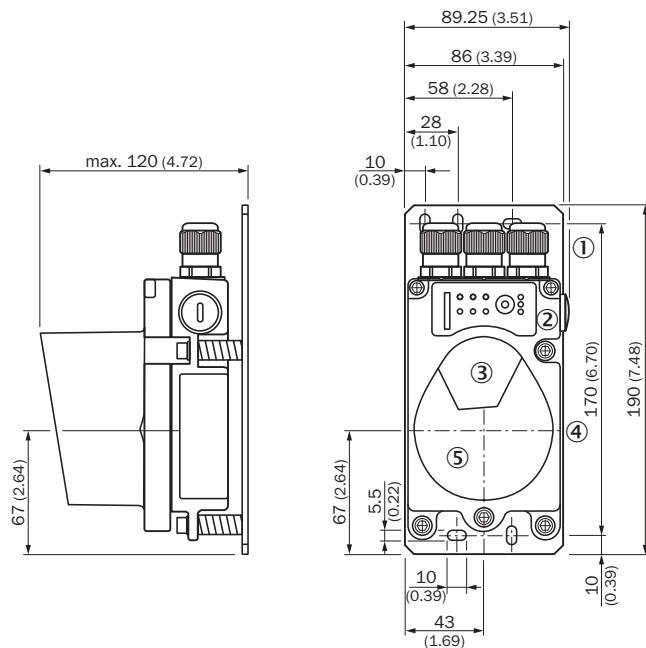
<b>Note</b>	2 devices are required to construct a data transmission path: ISD300-xxx1 (frequency 1) and ISD300-xxx2 (frequency 2). The two devices must be ordered separately.
-------------	--

## Classifications

<b>eCl@ss 5.0</b>	19039001
<b>eCl@ss 5.1.4</b>	19039001
<b>eCl@ss 6.0</b>	19179090
<b>eCl@ss 6.2</b>	19179090
<b>eCl@ss 7.0</b>	19179090
<b>eCl@ss 8.0</b>	19179090
<b>eCl@ss 8.1</b>	19179090
<b>eCl@ss 9.0</b>	19179090
<b>eCl@ss 10.0</b>	19179090
<b>eCl@ss 11.0</b>	19170500
<b>eCl@ss 12.0</b>	19170500
<b>ETIM 5.0</b>	EC000515
<b>ETIM 6.0</b>	EC000515
<b>ETIM 7.0</b>	EC000515
<b>ETIM 8.0</b>	EC000515
<b>UNSPSC 16.0901</b>	43201404

## Dimensional drawing (Dimensions in mm (inch))

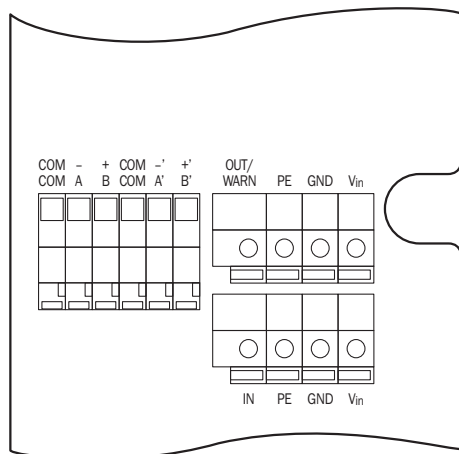
ISD300 RS-485/PROFIBUS, ISD300 RS-422/Interbus, ISD300 DH+/RIO, ISD300 DeviceNet/CANopen



- ① M16 gland
- ② Control panel
- ③ Sender lens
- ④ Center of optical axis
- ⑤ Receiver lens

## Connection type

ISD300 RS-485/PROFIBUS

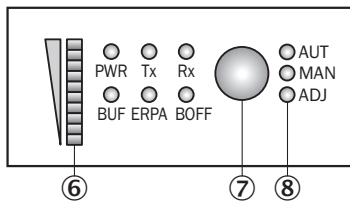


## Connection diagram

Terminals, general		Terminals, PROFIBUS	
<b>V<sub>in</sub></b>	L+	<b>A, -</b>	A wire
<b>GND</b>	M	<b>B, +</b>	B wire
<b>PE</b>	Shield	<b>COM</b>	Pot. balance
<b>OUT/WARN</b>	Q	<b>A', -'</b>	A wire
<b>IN</b>	Switch. input	<b>B', +'</b>	B wire

## Adjustment possible

ISD300 RS-485/PROFIBUS, ISD300 RS-422/Interbus, ISD300 DH+/RIO, ISD300 DeviceNet/CANopen





- ⑥ Display for signal level
- ⑦ Operating mode selector switch
- ⑧ LED operating indicator

## Recommended accessories

Other models and accessories → [www.sick.com/ISD300](http://www.sick.com/ISD300)

	Brief description	Type	Part no.
<b>Plug connectors and cables</b>			
	Head A: Flying leads Head B: Flying leads Cable: PROFIBUS DP, PUR, shielded	LTG-2102-MW	6021355
	Head A: Flying leads Head B: Flying leads Cable: CANopen, DeviceNet™, shielded Wire shield Al-Pt film, overall shield C-screen tin-plated	LTG-2804-MW	6028328
	Head A: male connector, M12, 5-pin, straight, B-coded Head B: Flying leads Cable: PROFIBUS DP, twisted pair, PUR, halogen-free, shielded, 5 m Wire shield Al-Pt film, overall shield C-screen tin-plated	STL-1205-G05MQ	6026005
	Head A: female connector, M12, 5-pin, straight Cable: CANopen, DeviceNet™, shielded	DOS-1205-GA	6027534
	Head A: female connector, M12, 5-pin, straight, B-coded Cable: PROFIBUS DP, shielded	DOS-1205-GQ	6021353

	Brief description	Type	Part no.
	Head A: male connector, M12, 5-pin, straight, A-coded Cable: CANopen, DeviceNet™, shielded	STE-1205-GA	6027533
	Head A: male connector, M12, 5-pin, straight, B-coded Cable: PROFIBUS DP, shielded	STE-1205-GQ	6021354

### Recommended services

Additional services → [www.sick.com/ISD300](http://www.sick.com/ISD300)

	Type	Part no.
Extended warranty		
<ul style="list-style-type: none"> <li>• <b>Product area:</b> Identification solutions, machine vision, Distance sensors, Detection and ranging solutions</li> <li>• <b>Range of services:</b> The services correspond to the scope of the statutory manufacturer warranty (SICK general terms of delivery).</li> <li>• <b>Duration:</b> Five-year warranty from delivery date.</li> </ul>	Extended warranty for a total of five years from delivery date	1680671

## SICK AT A GLANCE

SICK is one of the leading manufacturers of intelligent sensors and sensor solutions for industrial applications. A unique range of products and services creates the perfect basis for controlling processes securely and efficiently, protecting individuals from accidents and preventing damage to the environment.

We have extensive experience in a wide range of industries and understand their processes and requirements. With intelligent sensors, we can deliver exactly what our customers need. In application centers in Europe, Asia and North America, system solutions are tested and optimized in accordance with customer specifications. All this makes us a reliable supplier and development partner.

Comprehensive services complete our offering: SICK LifeTime Services provide support throughout the machine life cycle and ensure safety and productivity.

For us, that is “Sensor Intelligence.”

## WORLDWIDE PRESENCE:

Contacts and other locations –[www.sick.com](http://www.sick.com)