



## Mounting kit

**SICK**  
Sensor Intelligence.



Illustration may differ

## Ordering information

Type	Part no.
Mounting kit	2068398

Other models and accessories → [www.sick.com/](http://www.sick.com/)

## Detailed technical data

### Technical specifications

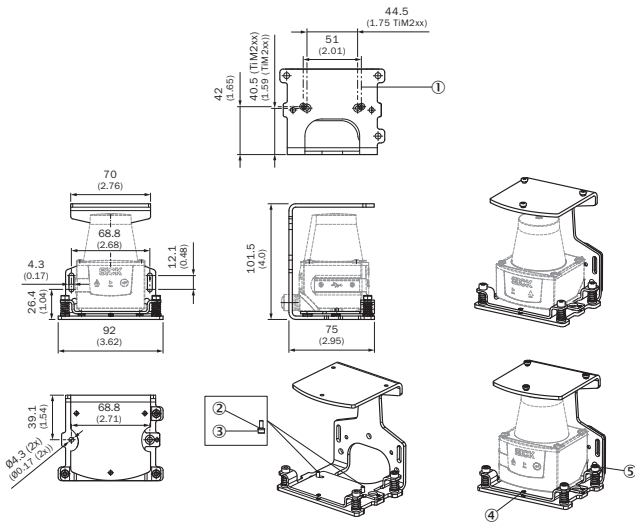
<b>Accessory group</b>	Mounting brackets and plates
<b>Accessory family</b>	Mounting brackets
<b>Suitable for</b>	TiM35x, TiM36x, TiM55x, TiM56x, TiM57x, TiM58x, TiM78x
<b>Material</b>	Anodized aluminum
<b>Items supplied</b>	Mounting hardware included
<b>Dimensions (W x H x L)</b>	103 mm x 180 mm x 127 mm
<b>Description</b>	Mounting kit with sun shade/weather protection

### Classifications

<b>eCl@ss 5.0</b>	27279202
<b>eCl@ss 5.1.4</b>	27279202
<b>eCl@ss 6.0</b>	27279202
<b>eCl@ss 6.2</b>	27279202
<b>eCl@ss 7.0</b>	27279202
<b>eCl@ss 8.0</b>	27279202
<b>eCl@ss 8.1</b>	27279202
<b>eCl@ss 9.0</b>	27273701
<b>eCl@ss 10.0</b>	27273701
<b>eCl@ss 11.0</b>	27273701
<b>eCl@ss 12.0</b>	27273701
<b>ETIM 5.0</b>	EC002615
<b>ETIM 6.0</b>	EC002615
<b>ETIM 7.0</b>	EC002615
<b>ETIM 8.0</b>	EC002615
<b>UNSPSC 16.0901</b>	32131023

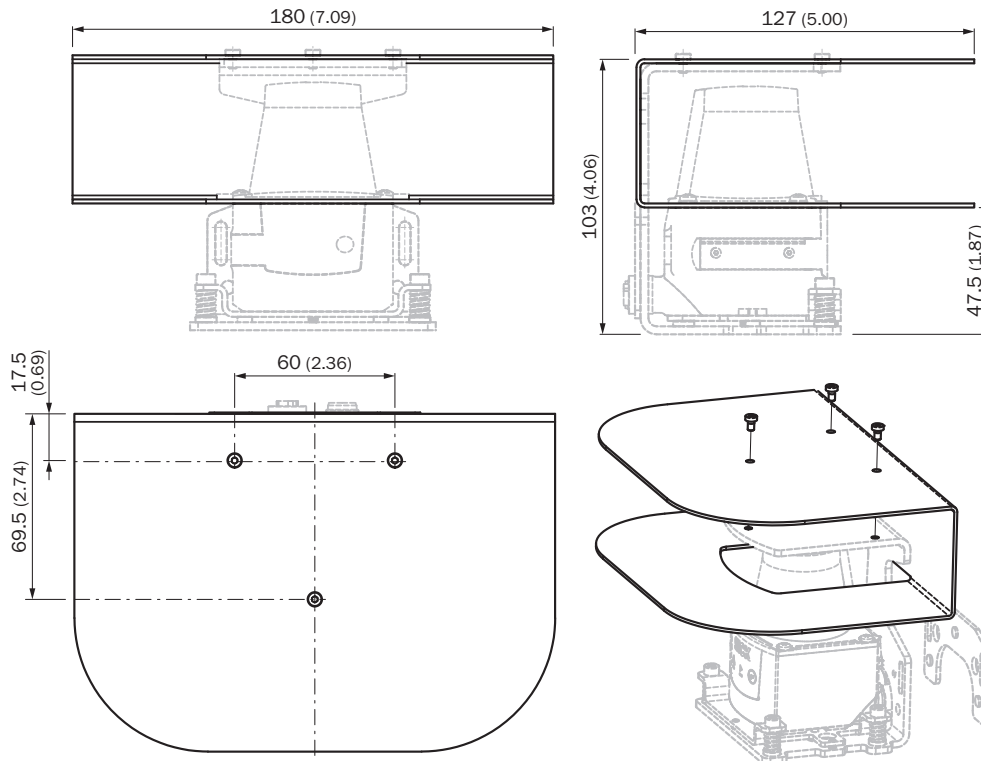
Dimensional drawing (Dimensions in mm (inch))

Dimensional drawing: mounting kit



- ① TIMxxx mounting: 2 x ISO4762 - M3 x 8 cylinder head screw, 2 x DIN988 - 3/6 x 1.0 shim washer
- ② Shim washer
- ③ Screw
- ④ Locking screws (2 x)
- ⑤ Alignment screws (3 x)

Dimensional drawing: weather protection hood



## SICK AT A GLANCE

SICK is one of the leading manufacturers of intelligent sensors and sensor solutions for industrial applications. A unique range of products and services creates the perfect basis for controlling processes securely and efficiently, protecting individuals from accidents and preventing damage to the environment.

We have extensive experience in a wide range of industries and understand their processes and requirements. With intelligent sensors, we can deliver exactly what our customers need. In application centers in Europe, Asia and North America, system solutions are tested and optimized in accordance with customer specifications. All this makes us a reliable supplier and development partner.

Comprehensive services complete our offering: SICK LifeTime Services provide support throughout the machine life cycle and ensure safety and productivity.

For us, that is “Sensor Intelligence.”

## WORLDWIDE PRESENCE:

Contacts and other locations –[www.sick.com](http://www.sick.com)