



**WFE-030040B137**

WFE

**FORK SENSORS**

**SICK**  
Sensor Intelligence.



## Ordering information

Type	Part no.
WFE-030040B137	1106554

Other models and accessories → [www.sick.com/WFE](http://www.sick.com/WFE)

Illustration may differ



## Detailed technical data

## Features

<b>Dimensions (W x H x D)</b>	10 mm x 59.3 mm x 60.5 mm
<b>Fork width</b>	30 mm
<b>Fork depth</b>	40 mm
<b>Minimum detectable object (MDO)</b>	0.5 mm
<b>Light source</b>	LED, red
<b>Adjustment</b>	Potentiometer, light/dark switching

## Mechanics/electronics

<b>Supply voltage</b>	10 V DC ... 30 V DC
<b>Ripple</b>	< 10 %
<b>Current consumption</b>	< 30 mA <sup>1)</sup>
<b>Switching frequency</b>	5 kHz
<b>Response time</b>	100 µs
<b>Stability of response time</b>	± 20 µs
<b>Switching output</b>	Push-pull: PNP/NPN
<b>Switching output (voltage)</b>	Push-pull: PNP/NPN High = $U_V - < 2 V$ / Low: $\leq 2 V$
<b>Switching mode</b>	Light/dark switching
<b>Switching output hysteresis</b>	< 0.1 mm
<b>Output current <math>I_{max.}</math></b>	100 mA
<b>Initialization time</b>	100 ms
<b>Connection type</b>	Cable, open-ended, 3-wire, 2 m
<b>Protection class</b>	III
<b>Circuit protection</b>	$U_V$ connections, reverse polarity protected

<sup>1)</sup> Without load.

	Output Q short-circuit protected Interference pulse suppression
<b>Enclosure rating</b>	IP67
<b>Weight</b>	Approx. 90 g
<b>Housing material</b>	Plastic, ABS Coated carbon steel (frame)
<b>Indication</b>	LED indicator green: power on LED indicator, yellow: Status switching output Q

<sup>1)</sup> Without load.

### Ambient data

<b>Ambient operating temperature</b>	-20 °C ... +60 °C
<b>Ambient temperature, storage</b>	-40 °C ... +75 °C
<b>Ambient light immunity</b>	Sunlight: ≤ 10,000 lx
<b>Shock load</b>	According to IEC 60068-2-27 (30 g/11 ms)
<b>UL File No.</b>	NRKH.E348498 & NRKH7.E348498

### Classifications

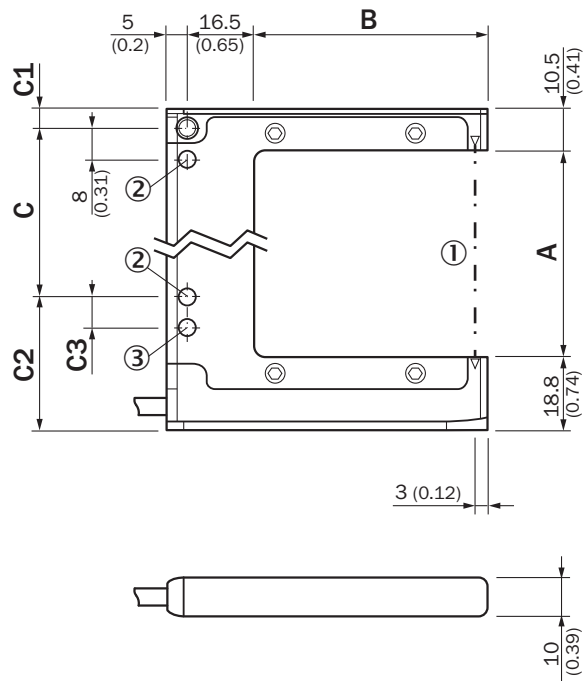
<b>eCl@ss 5.0</b>	27270909
<b>eCl@ss 5.1.4</b>	27270909
<b>eCl@ss 6.0</b>	27270909
<b>eCl@ss 6.2</b>	27270909
<b>eCl@ss 7.0</b>	27270909
<b>eCl@ss 8.0</b>	27270909
<b>eCl@ss 8.1</b>	27270909
<b>eCl@ss 9.0</b>	27270909
<b>eCl@ss 10.0</b>	27270909
<b>eCl@ss 11.0</b>	27270909
<b>eCl@ss 12.0</b>	27270909
<b>ETIM 5.0</b>	EC002720
<b>ETIM 6.0</b>	EC002720
<b>ETIM 7.0</b>	EC002720
<b>ETIM 8.0</b>	EC002720
<b>UNSPSC 16.0901</b>	39121528

### Connection/pin assignment

<b>Connection type</b>	Cable, open-ended, 3-wire, 2 m
<b>Pin assignment</b>	
	BN + (L+)
	BU - (M)
	BK Q

### Dimensional drawing (Dimensions in mm (inch))

WFE-xxxxxxx1xx

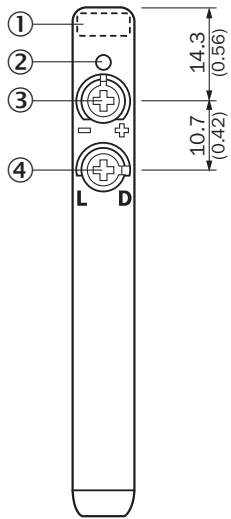


- ① Optical axis
- ② Mounting hole,  $\varnothing$  4.3 mm
- ③ Only WFE-050/-080/-120/-180

Type	A (fork width)	B (fork depth)	C	C1	C2	C3
WFE-030040xxxx	30 (1.18)	39 (1.54)	30 (1.18)	5 (0.2)	24.3 (0.96)	-
WFE-050060xxxx	50 (1.97)	57 (2.25)	40 (1.57)	5 (0.2)	34.3 (1.35)	8 (0.31)
WFE-080060xxxx	80 (3.15)	57 (2.24)	70 (2.76)	5 (0.2)	34.3 (1.35)	8 (0.31)
WFE-120120xxxx	120 (4.72)	121.5 (4.78)	100 (3.94)	15.5 (0.61)	33.8 (13.31)	10 (0.39)
WFE-180120xxxx	180 (7.09)	121.5 (4.78)	152 (5.98)	20.5 (0.81)	36.8 (1.45)	8 (0.31)

## Adjustments

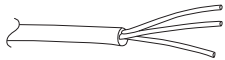
WFE-xxxxxxxx7



- ① Status indicator LED, yellow: Status switching output
- ② LED indicator green: power
- ③ Potentiometer for sensitivity adjustment
- ④ Light/ dark rotary switch: L = light switching, D = dark switching

## Connection type

Cable, 3-wire



See table: **Connection/pin assignment**

## SICK AT A GLANCE

SICK is one of the leading manufacturers of intelligent sensors and sensor solutions for industrial applications. A unique range of products and services creates the perfect basis for controlling processes securely and efficiently, protecting individuals from accidents and preventing damage to the environment.

We have extensive experience in a wide range of industries and understand their processes and requirements. With intelligent sensors, we can deliver exactly what our customers need. In application centers in Europe, Asia and North America, system solutions are tested and optimized in accordance with customer specifications. All this makes us a reliable supplier and development partner.

Comprehensive services complete our offering: SICK LifeTime Services provide support throughout the machine life cycle and ensure safety and productivity.

For us, that is “Sensor Intelligence.”

## WORLDWIDE PRESENCE:

Contacts and other locations –[www.sick.com](http://www.sick.com)