



DOL-1208-W05MAC1

SICK
Sensor Intelligence.



Ordering information

Type	Part no.
DOL-1208-W05MAC1	6037725

For 8-pin sensor-actuator cables, the wire colors are not standardized. Therefore, please observe the pin assignment of the sensor and the cable in the respective data sheet.

Other models and accessories → www.sick.com/

Detailed technical data

Technical specifications

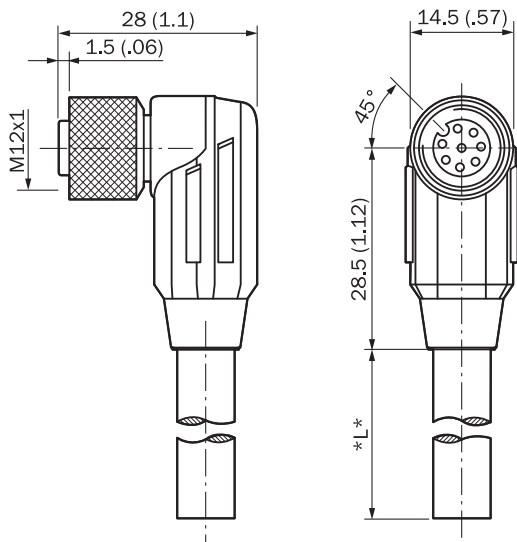
Accessory group	Plug connectors and cables
Accessory family	Connecting cables
Connection type head A	Female connector, M12, 8-pin, angled
Connection type head B	Flying leads
Cable	5 m, 8-wire, PUR, halogen-free
Jacket material	PUR, halogen-free
Jacket color	Black
Cable diameter	7 mm
Conductor cross section	0.25 mm ² , 4 x 2 x 0.25 mm ²
Shielding	Shielded
Bending radius	
Flexible use	> 10 x cable diameter
Stationary position	> 5 x cable diameter
Signal type	HIPERFACE [®] , Incremental
Enclosure rating	IP65/ IP67/ IP69K

Classifications

eCl@ss 5.0	19030312
eCl@ss 5.1.4	19030312
eCl@ss 6.0	27060304
eCl@ss 6.2	27060304
eCl@ss 7.0	27060304
eCl@ss 8.0	27060304
eCl@ss 8.1	27060304
eCl@ss 9.0	27060304
eCl@ss 10.0	27060304
eCl@ss 11.0	27060304
eCl@ss 12.0	27060304
ETIM 5.0	EC000830
ETIM 6.0	EC000830
ETIM 7.0	EC003249

ETIM 8.0	EC003249
UNSPSC 16.0901	26121604

Dimensional drawing (Dimensions in mm (inch))



- ① Brown
- ② White
- ③ Black
- ④ Pink
- ⑤ Yellow
- ⑥ Violet
- ⑦ Blue
- ⑧ Red

SICK AT A GLANCE

SICK is one of the leading manufacturers of intelligent sensors and sensor solutions for industrial applications. A unique range of products and services creates the perfect basis for controlling processes securely and efficiently, protecting individuals from accidents and preventing damage to the environment.

We have extensive experience in a wide range of industries and understand their processes and requirements. With intelligent sensors, we can deliver exactly what our customers need. In application centers in Europe, Asia and North America, system solutions are tested and optimized in accordance with customer specifications. All this makes us a reliable supplier and development partner.

Comprehensive services complete our offering: SICK LifeTime Services provide support throughout the machine life cycle and ensure safety and productivity.

For us, that is “Sensor Intelligence.”

WORLDWIDE PRESENCE:

Contacts and other locations –www.sick.com