



# E100-B2A22S10A

E100

SAFETY COMMAND DEVICES

**SICK**  
Sensor Intelligence.



### Ordering information

Type	Part no.
E100-B2A22S10A	6022880

Other models and accessories → [www.sick.com/E100](http://www.sick.com/E100)



### Detailed technical data

#### Features

<b>Number of positive action N/C contacts</b>	2
<b>Number of N/O contacts</b>	2
<b>Actuation directions</b>	1
<b>Plus/minus button</b>	✓

#### Safety-related parameters

<b>B<sub>10d</sub> parameter</b>	5 x 10 <sup>5</sup> switching cycles (with small load)
<b>Safe state in the event of a fault</b>	The switch has no internal fault detection and is unable to assume a safe state in the event of a fault. Fault detection is performed by the connected safety-related logic unit.

#### Functions

<b>Safe series connection</b>	None, only individual wiring (with diagnostics)
-------------------------------	---

#### Interfaces

<b>Type of connection cable</b>	Straight
<b>Connection type</b>	Cable open end
Length of cable	10 m
Cable diameter	9.8 mm
Conductor cross section	8 x 0.5 mm <sup>2</sup> , 8 x 0.14 mm <sup>2</sup>
Bend radius (with fixed installation)	> 7.5 x cable diameter
Bend radius (with moving cable)	> 15 x cable diameter
Cable material	PUR
Conductor material	Copper

#### Electrical data

<b>Switching principle</b>	Slow action switching element
<b>Number of positive action N/C contacts</b>	2
<b>Number of N/O contacts</b>	2
<b>Usage category</b>	DC-13 (EN 60947-5-1)
<b>Rated operating current (voltage)</b>	2 A (24 V DC)

	100 mA (24 V DC)
<b>Rated insulation voltage <math>U_i</math></b>	32 V
<b>Rated impulse withstand voltage <math>U_{imp}</math></b>	800 V
<b>Short-circuit protection</b>	2 A gG / 0.1 A gG
<b>Switching voltage</b>	$\geq 12$ V DC
<b>Switching current (switching voltage)</b>	$\geq 1$ mA (24 V DC)

## Mechanical data

<b>Dimensions</b>	64 mm x 132 mm
<b>Weight</b>	1.32 kg
<b>Housing material</b>	Plastic
<b>Mechanical life</b>	$1 \times 10^5$ switching cycles

## Ambient data

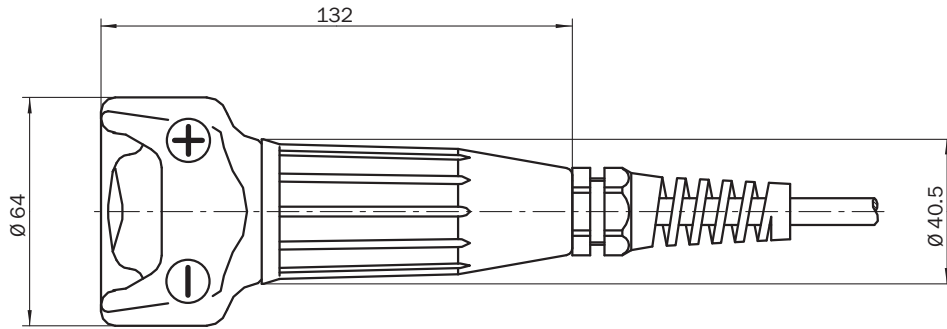
<b>Enclosure rating</b>	IP65 (EN 60529)
<b>Ambient operating temperature</b>	-5 °C ... +50 °C
<b>Storage temperature</b>	-5 °C ... +50 °C

## Classifications

<b>eCl@ss 5.0</b>	27371238
<b>eCl@ss 5.1.4</b>	27371238
<b>eCl@ss 6.0</b>	27371238
<b>eCl@ss 6.2</b>	27371238
<b>eCl@ss 7.0</b>	27371238
<b>eCl@ss 8.0</b>	27371238
<b>eCl@ss 8.1</b>	27371238
<b>eCl@ss 9.0</b>	27371238
<b>eCl@ss 10.0</b>	27371238
<b>eCl@ss 11.0</b>	27371238
<b>eCl@ss 12.0</b>	27371238
<b>ETIM 5.0</b>	EC002571
<b>ETIM 6.0</b>	EC002571
<b>ETIM 7.0</b>	EC002571
<b>ETIM 8.0</b>	EC002571
<b>UNSPSC 16.0901</b>	39122205

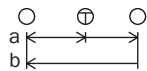
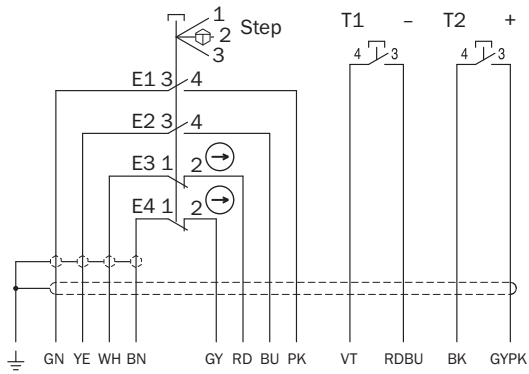
### Dimensional drawing (Dimensions in mm (inch))

E100-B

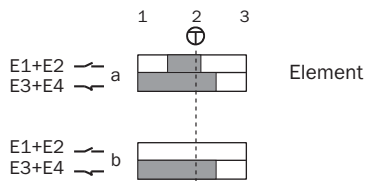


### Actuator travel diagram

E100-B



⊕ Trigger point



- Contacts open
- Contacts closed

## SICK AT A GLANCE

SICK is one of the leading manufacturers of intelligent sensors and sensor solutions for industrial applications. A unique range of products and services creates the perfect basis for controlling processes securely and efficiently, protecting individuals from accidents and preventing damage to the environment.

We have extensive experience in a wide range of industries and understand their processes and requirements. With intelligent sensors, we can deliver exactly what our customers need. In application centers in Europe, Asia and North America, system solutions are tested and optimized in accordance with customer specifications. All this makes us a reliable supplier and development partner.

Comprehensive services complete our offering: SICK LifeTime Services provide support throughout the machine life cycle and ensure safety and productivity.

For us, that is “Sensor Intelligence.”

## WORLDWIDE PRESENCE:

Contacts and other locations –[www.sick.com](http://www.sick.com)